

Coria CCT LED FT Bollard

Bollards



Data Sheet

Product Information

The 3 CCT Coria LED Flat Top Bollard are a 3 in one solution for uses in exterior applications where the option to be able to adjust the colour to suit the application is required at the flick of a switch. These are ideal for pathways, security lighting and entrance lighting applications.

Complete with a 2 year warranty

Product Features

- 2 year warranty
- Class I
- IP65
- High CRI up to Ra86
- Instant on
- 3 switchable Colour temperatures 3000K/4000K/6000K
- Non-Dimmable
- Available in 3 heights 420mm, 720mm and 970mm
- 180° beam angle
- Root mount kit available
- L70/25,000hrs

Product Specification

Product Code	Product Description	Wattage (W)	CCT (K)	Lumens (lm)	CRI (Ra)	Energy Efficiency Class	Protection Class
KSR9993	Coria 20w CCT 420mm LED Flat Top Bollard	20	3000	1528	82	A+	I
			4000	1724	86		
			6000	1535	84		
KSR9994	Coria 20w CCT 720mm LED Flat Top Bollard	20	3000	1528	82	A+	I
			4000	1724	86		
			6000	1535	84		
KSR9995	Coria 20w CCT 970mm LED Flat Top Bollard	20	3000	1528	82	A+	I
			4000	1724	86		
			6000	1535	84		
Accessories							
KSR9914	Coria Root Mounting Kit						

Nominal voltage	220~240VAC
Operating frequency	50-60Hz
Circuit Wattage	18.1w including Driver (4000K Output)
Circuit Current	0.08A
Driver Current Rating	250mA
PFC	0.95
In Rush Current	1.47 Amps Max Peak
Start Time	< 0.5 Sec
Ambient temperature range	-15°C to +40°C
IP rating	65

Construction

Body: Die Cast Aluminium
 Lens: Polycarbonate

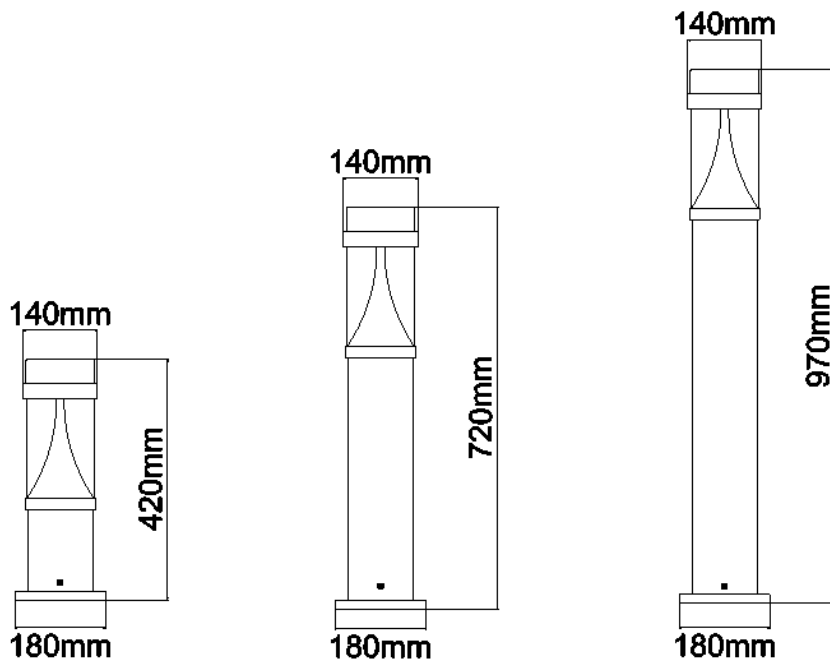
Standards

BSEN60598-1:2015 Luminaires – Part 1: General Requirements and tests

In Conformity with

LVD Low voltage directive 2014/35/EU
 EMC Electromagnetic compatibility directive 2014/30/EU
 ERP Energy related products directive 2009/125/EC
 RoHS Restriction of hazardous substances 2011/65/EU

Product Dimensions



KSR9993

KSR9994

KSR9995

KSR Lighting is constantly developing and improving its products. For this reason, all product descriptions in this data sheet are intended as a general guide, and KSR may change specifications from time to time in the interest of product development, without prior notification or public announcement. All descriptions in this data sheet present only general particulars of the goods to which they refer and shall not form part of any contract. Data in this guide has been obtained in controlled experimental conditions. However, KSR Lighting cannot accept any liability arising from the reliance on such data to the extent permitted.