

Talara CCT LED Bollard

Bollards



Data Sheet

Product Information

The 3 CCT Talara LED Bollard are a 3 in one solution for uses in exterior applications where the option to be able to adjust the colour to suit the application is required at the flick of a switch. These are ideal for pathways, security lighting and entrance lighting applications.

Complete with a 2 year warranty

Product Features

- 2 year warranty
- Class II
- IP65
- High CRI >82
- Instant on
- 3 switchable Colour temperatures 3000K/4000K/6000K
- Non-Dimmable
- Available in 3 heights 450mm, 750mm and 1000mm
- 125° beam angle
- 316L Stainless Steel Construction
- Root mount kit available
- L70/25,000hrs

Product Specification

| Product Code | Product Description | Wattage (W) | CCT (K) | Lumens (lm) | CRI (Ra) | Energy Efficiency Class | Protection Class |
|--------------------|---|-------------|---------|-------------|----------|-------------------------|------------------|
| KSR9985 | Talara 15w CCT 450mm Stainless Steel Bollard | 15 | 3000 | 1595 | 82 | A+ | II |
| | | | 4000 | 1710 | 87 | | |
| | | | 6000 | 1600 | 85 | | |
| KSR9986 | Talara 15w CCT 750mm Stainless Steel Bollard | 15 | 3000 | 1595 | 82 | A+ | II |
| | | | 4000 | 1710 | 87 | | |
| | | | 6000 | 1600 | 85 | | |
| KSR9987 | Talara 15w CCT 1000mm Stainless Steel Bollard | 15 | 3000 | 1595 | 82 | A+ | II |
| | | | 4000 | 1710 | 87 | | |
| | | | 6000 | 1600 | 85 | | |
| Accessories | | | | | | | |
| KSR9988 | Talara Root Mounting Kit | | | | | | |

| | |
|----------------------------------|---------------------------------------|
| Nominal voltage | 220~240VAC |
| Operating frequency | 50-60Hz |
| Circuit Wattage | 15.1w including Driver (4000K Output) |
| Circuit Current | 0.066A |
| Driver Current Rating | 260mA |
| PFC | 0.91 |
| In Rush Current | 0.73 Amps Max Peak |
| Start Time | < 0.5 Sec |
| Ambient temperature range | -15°C to +40°C |
| IP rating | 65 |

Construction

Body: 316L Stainless Steel
 Lens: Polycarbonate

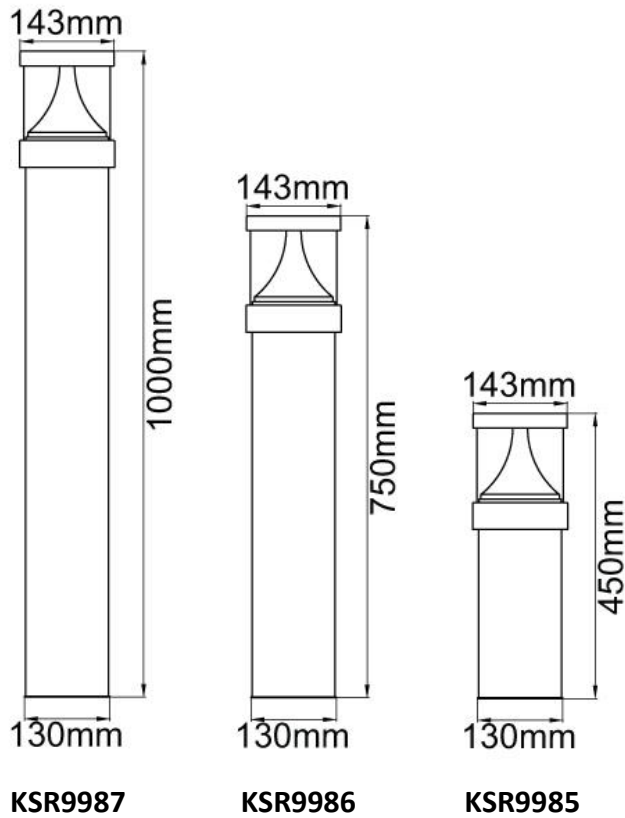
Standards

BSEN60598-1:2015 Luminaires – Part 1: General Requirements and tests

In Conformity with

LVD Low voltage directive 2014/35/EU
 EMC Electromagnetic compatibility directive 2014/30/EU
 ERP Energy related products directive 2009/125/EC
 RoHS Restriction of hazardous substances 2011/65/EU

Product Dimensions



KSR Lighting is constantly developing and improving its products. For this reason, all product descriptions in this data sheet are intended as a general guide, and KSR may change specifications from time to time in the interest of product development, without prior notification or public announcement. All descriptions in this data sheet present only general particulars of the goods to which they refer and shall not form part of any contract. Data in this guide has been obtained in controlled experimental conditions. However, KSR Lighting cannot accept any liability arising from the reliance on such data to the extent permitted.