

Bastia LED Range

Lanterns



Data Sheet

Product Information

The Bastia range of LED lanterns consisting of 4 lanterns. 2 four sided lanterns and 2 six sided lanterns both with or without PIR sensor. The non PIR versions can be constructed as either upward or downward lanterns.

The PIR versions can only be mounted as upward lanterns. Suitable for use in high saline coastal areas. Integral driver and 3000K 8W LED.

Complete with 2 year warranty.

Product Features

- 2 year warranty
- IP44
- Class II
- 8W 3000K LED
- Suitable for High Saline areas
- Non Dimmable
- 4 sided or 6 sided options
- PIR versions available
- Non PIR versions can be constructed to be either an upward or downward lantern

Product Specification

Product Code	Product Description	Wattage (W)	Lumens (lm)	CRI (Ra)	PIR	Energy Efficiency Class	Protection Class
KSR1512 BLK	Bastia 8W 4 sided upward/downward Lantern Black	8	419	85	No	A	II
KSR1513 BLK	Bastia 8W 4 sided upward Lantern with PIR Black	8	419	85	Yes	A	II
KSR1516 BLK	Bastia 8W 6 sided upward/downward Lantern Black	8	400	85	No	A	II
KSR1517 BLK	Bastia 8W 6 sided upward Lantern with PIR Black	8	400	85	Yes	A	II

Nominal voltage	220-240VAC
Operating frequency	50/60Hz
IP rating	44
Start time	<0.5 sec

PIR Specifications

Detection Range	1-8m@2m mounting height
Detection Angle	120°
Detection Speed	0.6~1.5 m/sec
Time Setting	90 seconds from last trigger non-adjustable
Lux Setting	On <30 lux – Off >80 lux non-adjustable
Manual Override	Yes – Switch power twice within 2 sec
Parasitic Power	<0.5W

Construction

Body:	PP (Polypropylene)
Diffuser:	PC (Polycarbonate)

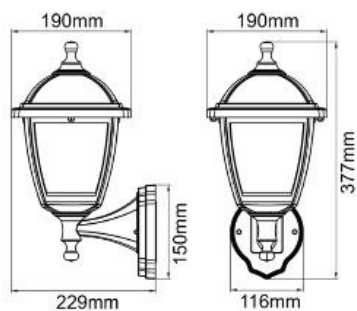
Standards

BSEN60598-1:2015	Luminaires – Part 1: General requirements and tests
------------------	---

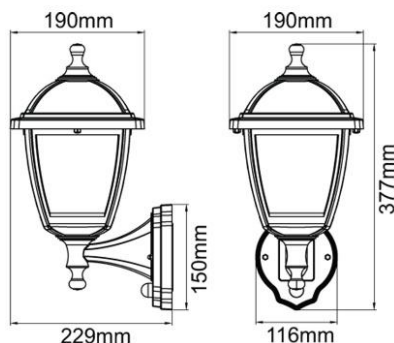
In Conformity with

LVD	Low voltage directive 2014/35/EU
ERP	Energy related products directive 2009/125/EC
RoHS	Restriction of hazardous substances 2011/65/EU

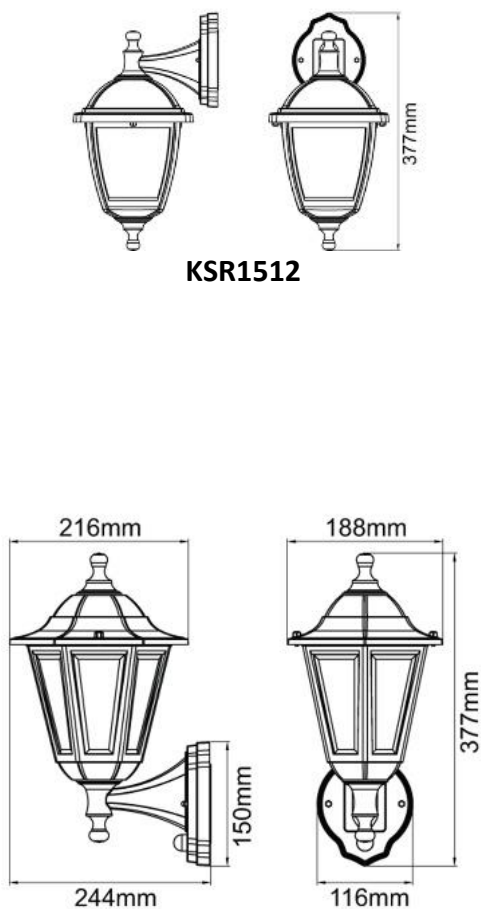
Product Dimensions



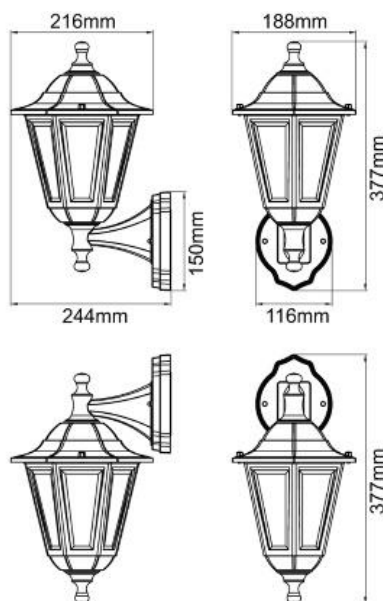
KSR1512



KSR1513



KSR1517



KSR1516

KSR Lighting is constantly developing and improving its products. For this reason, all product descriptions in this data sheet are intended as a general guide, and KSR may change specifications from time to time in the interest of product development, without prior notification or public announcement. All descriptions in this data sheet present only general particulars of the goods to which they refer and shall not form part of any contract. Data in this guide has been obtained in controlled experimental conditions. However, KSR Lighting cannot accept any liability arising from the reliance on such data to the extent permitted.