



Read these instructions before commencing installation. Please give these instructions to the owner/occupier after installation to retain for future reference/maintenance.

IP44 240V~50Hz 7W

These fittings are Class II and are not required to be Earthed

Important Information

It is recommended that these luminaires are installed and fitted by a qualified electrician ensuring the installation complies with current IEE wiring regulations & local building control. These products are designed for connection to a 240V~50Hz supply. Any faulty, broken or damaged luminaires should be replaced immediately.

KSR will not accept responsibility for any claims arising from a poor installation. Please Note: The limited warranty shall be deemed null and void in the following circumstances: Failure by the installer, end user or any third party to exercise caution to protect any covered product or part from outside damage, adverse temperature, humidity conditions, fluctuations in the electrical system or physical abuse as well as failure related to workmanship in the installation of the products or parts.

Important User Advice

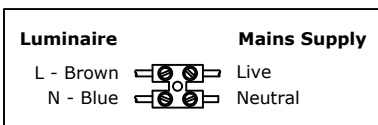
Always switch off mains supply before installing/servicing. Do not use Megger or similar high voltage instruments. Due to the fact this product contains electronic components that may be damaged by high test voltages, they must be disconnected from the circuit before testing. To prevent damage to the driver, do not mix with conventional magnetic ballasts on the same electrical circuit. KSR recommends a maintenance schedule of washing down with soapy water (no abrasive cleaners) and greasing all nuts/bolts every 3 months. At the end of life the luminaire is classed as WEEE under directive 2014/30/EU and should be disposed of in accordance with local legislation

Installation Procedure

KSR recommends that you familiarize yourself with the installation. Once you are completely satisfied: Ensure the mains supply is off. Remove the nuts and sealing washers from the base and retain (Fig. 1). Remove luminaire from base, pass the supply cable through the grommet in the base ensuring a water tight seal is made and fix the base using suitable fixings for the substrate. Connect the luminaire to the supply (Fig. 2). Grease the base bolts/nuts. Fix luminaire to the base using the sealing washers and nuts. Turn on the mains supply to test the luminaire.

KSR1154 the PIR can be adjusted for LUX levels and TIME by turning the adjusters on the base (one each side) of the fitting (Fig. 3). Do not force the adjusters.

Fig. 2



The light source of this luminaire is not replaceable; when the light source reaches its end of life the whole luminaire shall be replaced

Available finishes: Black or White

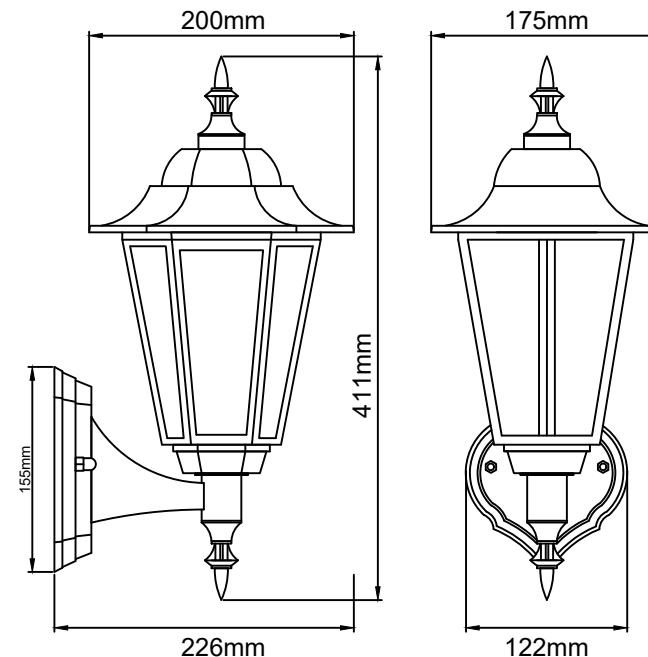
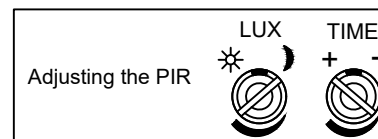
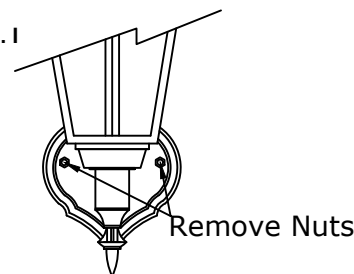


Fig. 3



KSR1153/1154

Fig. 1



Lamp Details

Light Source: Dedicated LED
Wattage: 7W
Lumen Output: 370 Lumens
CRI: 84
Colour: 4000K

**PIR Details
(KSR1154 only)**

Detection Angle: 130°
Time Adjustment: Min. 5 seconds ~ 5 Minutes Max.
Lux Adjustment: Min: 5 lux ~ 2000 lux Max.
Detection Range: 0-12m

This product contains a light source of energy efficiency class G



KSR Lighting Aftersales: 023 92 674343
E-mail: aftersales@ksrlighting.com