



Available finishes: Black or White

Read these instructions before commencing installation. Please give these instructions to the owner/occupier after installation to retain for future reference/maintenance.

IP44 240V~50Hz 10W

These fittings are Class II and are not required to be Earthed

Important Information

It is recommended that these luminaires are installed and fitted by a qualified electrician ensuring the installation complies with current IEE wiring regulations & local building control. These products are designed for connection to a 240V~50Hz supply. Any faulty, broken or damaged luminaires should be replaced immediately. KSR will not accept responsibility for any claims arising from a poor installation. Please Note: The limited warranty shall be deemed null and void in the following circumstances: Failure by the installer, end user or any third party to exercise caution to protect any covered product or part from outside damage, adverse temperature, humidity conditions, fluctuations in the electrical system or physical abuse as well as failure related to workmanship in the installation of the products or parts.

Important User Advice

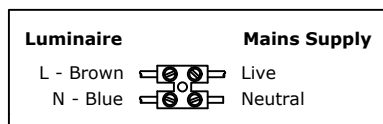
Always switch off mains supply before installing/servicing. Do not use Megger or similar high voltage instruments. Due to the fact this product contains electronic components that maybe damaged by high test voltages, they must be disconnected from the circuit before testing. To prevent damage to the driver, do not mix with conventional magnetic ballasts on the same electrical circuit. KSR recommends a maintenance schedule of washing down with soapy water (no abrasive cleaners) and greasing all screws every 3 months. At the end of life the luminaire is classed as WEEE under directive 2014/30/EU and should be disposed of in accordance with local legislation

Installation Procedure

Remove and retain the 2 screws holding the back plate to the wall light (located top and bottom of the fitting). Remove the single screw and retain to the terminal block cover. Fix the plastic back plate to wall using suitable fixings for the substrate ensuring that it is installed with the arrow pointing up. Pull your supply cable through the grommet on the terminal cover. Connect the supply to the terminal block: Brown (Live) and Blue (Neutral) as per Fig.1. Refit the terminal block cover. Attach the front cover to the base plate using the 2 screws you retained earlier. Switch on supply, test and adjust PIR (Fig. 2).

Please Note:
To set up the PIR adjust the Lux control to the 'sun' setting and cover the sensor with your hand to activate the light, repeat until the desired 'ON' time is found. This luminaire will only function when the natural daylight level drops below the set threshold. The luminaire will come on at 100% and remain at this level until the PIR times out when the output will drop to 15% of full output. It will remain at 15% until the sensor is triggered by movement.

Fig. 1



The light source of this luminaire is not replaceable; when the light source reaches its end of life the whole luminaire shall be replaced

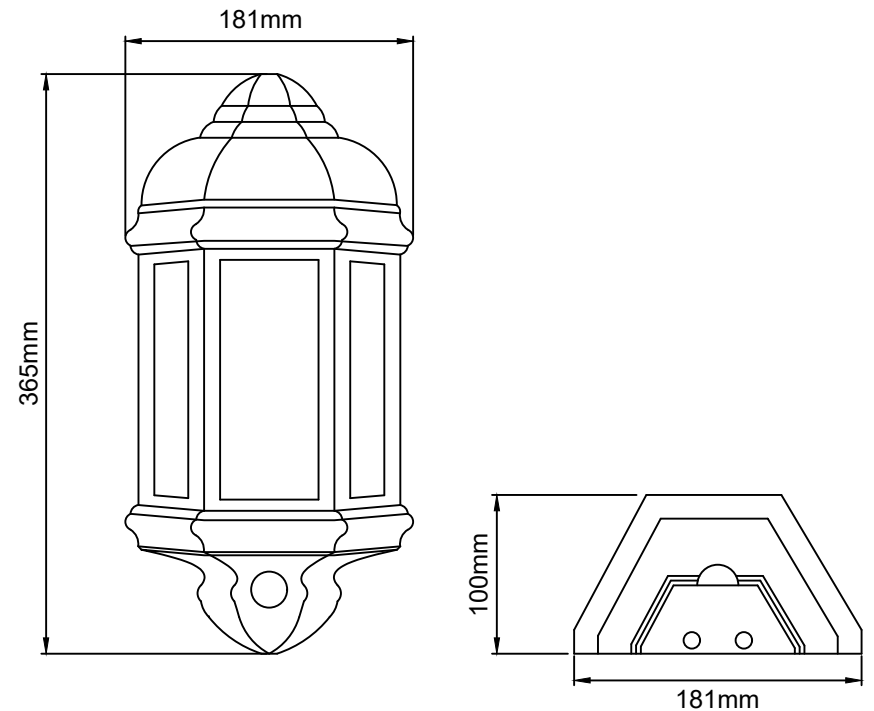
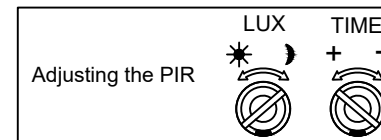


Fig. 2

KSR1157



Lamp Details

Light Source: Dedicated LED
Wattage: 10W
Lumen Output: 400 Lumens
CRI: 82
Colour: 4000K

PIR Details

Detection Angle: 130°
Time Adjustment: Min. 5 seconds ~ 5 Minutes Max.
Lux Adjustment: Min: 5 lux ~ 2000 lux Max.
Detection Range: 0-12m

This product contains a light source of energy efficiency class G



KSR Lighting Aftersales: 023 92 674343
E-mail: aftersales@ksrlighting.com