



Available Finish: Stainless Steel

Read these instructions before commencing installation. Please give these instructions to the owner/occupier after installation to retain for future reference/maintenance.

IP65 12VDC 0.1W

These fittings are Class III and must NEVER be connected to mains power!

Important Information

It is recommended that these luminaires are installed and fitted by a qualified electrician ensuring the installation complies with current IEE wiring regulations & local building control. These products are designed for connection to a 12VDC Constant Voltage supply.

Any faulty, broken or damaged luminaires should be replaced immediately.

KSR will not accept responsibility for any claims arising from a poor installation.

Please Note: The limited warranty shall be deemed null and void in the following circumstances: Failure by the installer, end user or any third party to exercise caution to protect any covered product or part from outside damage, humidity conditions, fluctuations in the electrical system or physical abuse as well as failure related to workmanship in the installation of the products or parts.

Important User Advice

Always safely isolate mains supply before installing/servicing.

KSR recommends a cleaning schedule at least quarterly using non abrasive cleaners. Also installing a water repellent grease on all serviceable screws.

When choosing connectors always ensure that they are installed as per the manufacturers instructions and are at least equal to the luminaires IP rating (KSR recommend IP68). Failure to install correctly can cause issues with moisture ingress and will invalidate the products warranty.

At the end of life the luminaire is classed as WEEE under directive 2014/30/EU and should be disposed of in accordance with local legislation.

Installation Procedure

Familiarize yourself with the luminaire/installation procedure and ensure the power is safely isolated before installing the luminaire.

Prepare & Cut a 18mm hole.

Connect using a suitable waterproof connector to a LED driver (Red - Positive, Black - Negative).

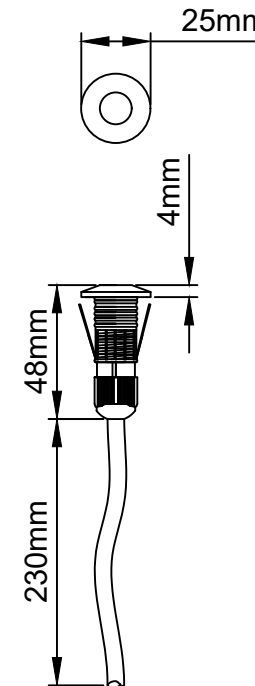
Please Note: These fittings should only be wired in parallel. Recommended driver KSRDL283 - up to 20 fittings.

This is a guide only due to KSR not knowing cable lengths used/Voltage drop of every install.

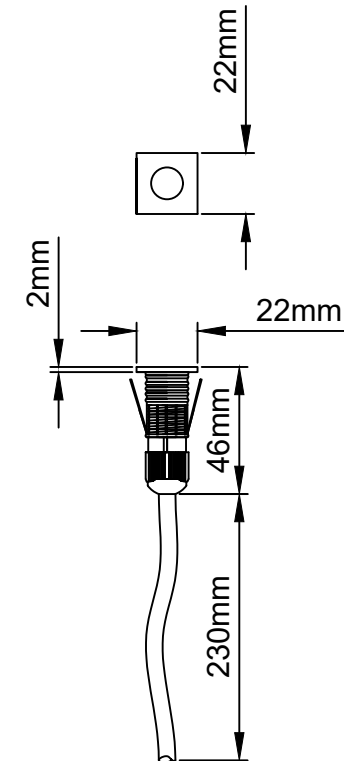
It is down to the installer to calculate cable size required for the runs used and the correct IP rated cable connector used for the installation.

Always ensure that the luminaire has adequate drainage so that it will never sit in water (IP65).

Push fitting into hole, turn on supply and test.



KSR1294



KSR1295

*This product contains a light source of energy efficiency class G
The LED light source in this product can't be replaced.*



Lamp Details	
	Lamp colours:
	WW - 3000K
	CW - 6000K
	LED Wattage: 0.1W

KSR Lighting Aftersales: 023 92 674343
E-mail: aftersales@ksrlighting.com