



Available Finish: White or Black

Read these instructions before commencing installation. Please give these instructions to the owner/occupier after installation to retain for future reference/maintenance.

**IP44** **240VAC~50Hz 1.2W LED**

These fittings are Class II and do not require an Earth connection

**Important Information**

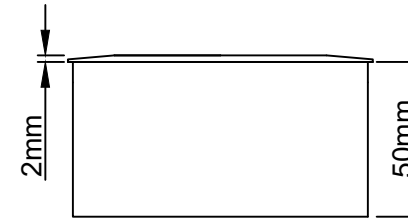
It is recommended that these luminaires are installed and fitted by a qualified electrician ensuring the installation complies with current IEE wiring regulations & local building control. These products are designed for connection to a 240V~50Hz supply. Any faulty, broken or damaged luminaires should be replaced immediately. KSR will not accept responsibility for any claims arising from a poor installation. Please Note: The limited warranty shall be deemed null and void in the following circumstances: Failure by the installer, end user or any third party to exercise caution to protect any covered product or part from outside damage, adverse temperature (normal operating ambient temperature -20 ~ +40°C), humidity conditions, fluctuations in the electrical system or physical abuse as well as failure related to workmanship in the installation of the products or parts.

**General Maintenance**

These products are suitable for external use, general maintenance and cleaning should be performed at least quarterly. Clean product outer using a damp cloth, do not use abrasive cleaners as this may damage the finish. After any maintenance, remember to check all seals are intact. Always switch off mains supply before servicing. Do not use Megger or similar high voltage instruments. Due to the fact this luminaire contains electronic components that maybe damaged by high test voltages, they must be disconnected from the circuit before testing. To prevent damage to the driver, do not mix with conventional magnetic ballasts on the same electrical circuit. At the end of life the luminaire is classed as WEEE under directive 2014/30/EU and should be disposed of in accordance with local legislation.

**Installation Procedure**

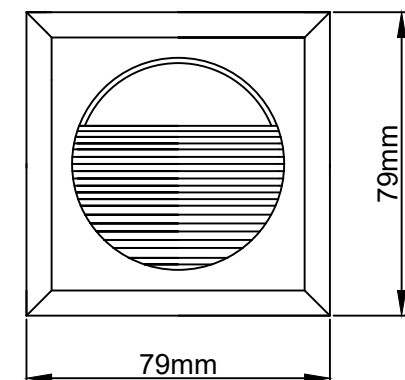
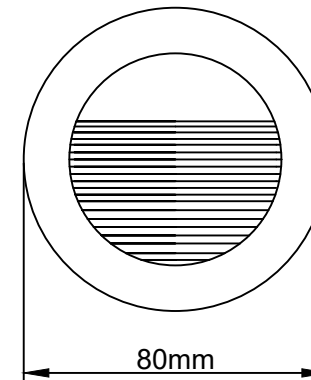
Familiarize yourself with the luminaire and ensure the power is turned off before installing the fitting. Cut a 75mm hole for fitting the luminaire directly into an existing wall (without the plastic retainer) or cement the plastic retainer into new build wall. Remove the retaining screws and cover. Terminate wiring to the circuit board using terminals. (Brown - Live and Blue - Neutral). Replace cover ensuring any supplied gaskets, etc are in place and secure using retaining screws. Ensure all the glands are tightened and place fitting into cut-out/retainer. Turn on mains supply and test.



**KSR1300 & KSR1302**



**KSR1301 & KSR1303**



**Lamp Details**



LED Wattage: 1.2w LED Module  
 KSR1300/302W/WHT - 3000K Warm White LED - 90lumens  
 KSR1300/302C/WHT - 6000K Cool White LED - 100 lumens  
 KSR1301/303W/WHT - 3000K Warm White LED - 90lumens  
 KSR1301/303C/WHT- 6000K Cool White LED - 100 lumens

**The light source of this luminaire is not replaceable; when the light source reaches its end of life the whole luminaire shall be replaced**

*This product contains a light source of energy efficiency class F*

KSR Lighting Aftersales: 023 92 674343  
 E-mail: aftersales@ksrlighting.com

