



Available finish:- Black

Read these instructions before commencing installation. Please give these instructions to the owner/occupier after installation to retain for future reference/maintenance.

IP44 **UK CA** **CE** **0.5m** **240VAC~50Hz 35W Max.**

These fittings are Class I and must be Earthed

Important Information

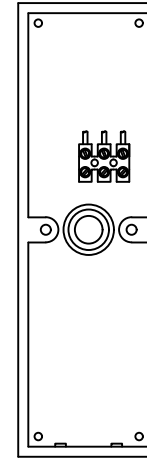
It is recommended that these luminaires are installed and fitted by a qualified electrician ensuring the installation complies with current IEE wiring regulations & local building control. These products are designed for connection to a 240V~50Hz supply. Any faulty, broken or damaged luminaires should be replaced immediately. KSR will not accept responsibility for any claims arising from a poor installation. Please Note: The limited warranty shall be deemed null and void in the following circumstances: Failure by the installer, end user or any third party to exercise caution to protect any covered product or part from outside damage, adverse temperature (normal operating ambient temperature -20 ~ +40°C), humidity conditions, fluctuations in the electrical system or physical abuse as well as failure related to workmanship in the installation of the products or parts.

General Maintenance

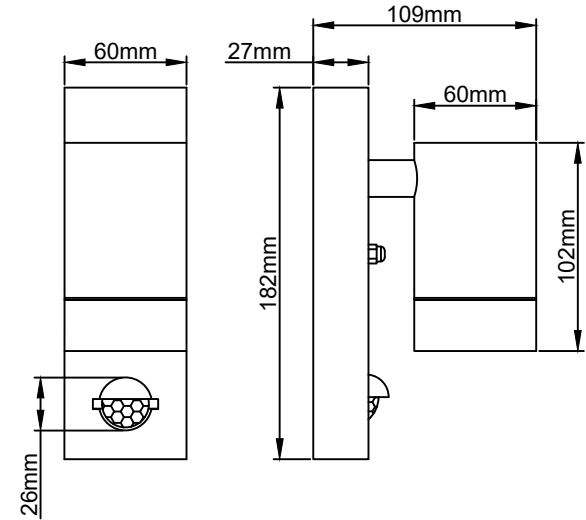
These products are suitable for external use, general maintenance and cleaning should be performed at least quarterly. Clean product outer using a damp cloth, do not use abrasive cleaners as this may damage the finish. After any maintenance, remember to check all seals are intact. Always switch off mains supply before servicing. Do not use Megger or similar high voltage instruments. Due to the fact this luminaire contains electronic components that maybe damaged by high test voltages, they must be disconnected from the circuit before testing. To prevent damage to the driver, do not mix with conventional magnetic ballasts on the same electrical circuit. At the end of life the luminaire is classed as WEEE under directive 2014/30/EU and should be disposed of in accordance with local legislation.

Installation Procedure

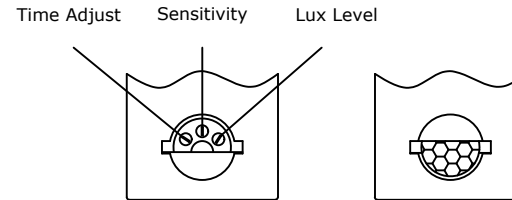
Familiarize yourself with the luminaire, remove the two chrome dome nuts that secure the main fitting to the mounting plate. Set aside the dome nuts. Offer the base plate up to a suitable surface and mark the four fixing points, ensuring the drain holes at the bottom of the plate. Once drilled, dress the mains supply cable through the grommet and secure to the wall. Terminate the mains supply into the terminal block, following the markings on the fitting. Ensure the main gasket is seated correctly on the base plate and place the fitting onto it, refit and tighten the dome nuts using a suitable water repellent grease. Remove the cap and fit GU10 lamp, if using GU10 LED ensure they are suitable for enclosed housings. Refit the cap we recommend using a suitable water repellent grease to ease of future lamp changes, please check it is secure to ensure a good seal. Flip the small hood on the PIR down to access the PIR settings, adjust the Time, Sensitivity, and Lux to suit, close the hood. Turn on the power and test the luminaire.



Base Section
This Way Up



PIR Settings
Switch Time - 12 Sec to 4 Minutes
Range - 9M when mounted at 4M
Viewing Angle - 110°
Minimum On Lux - 9 Lux



**PIR Set Up
Hood Down**

**Set for Use
Hood Up**

Mains Supply	Luminaire
Live - Brown	L- Brown
Earth - Green/Yellow	⊕ - Green/Yellow
Neutral - Blue	N - Blue

Lamp Details

Lamp Cap: GU10
Max Wattage: 35W

Suitable for Retrofit LED Lamps



KSR Lighting Aftersales: 023 92 674343
E-mail: aftersales@ksrlighting.com