

Read these instructions before commencing installation. Please give these instructions to the owner/occupier after installation to retain for future reference/maintenance.

IP65 240VAC~50HZ 5W LED

These fittings are Class I and must be Earthed

**Important Information**

It is recommended that these luminaires are installed and fitted by a qualified electrician ensuring the installation complies with current IEE wiring regulations & local building control. These products are designed for connection to a 240VAC~50Hz supply.  
Any faulty, broken or damaged luminaires should be replaced immediately.  
KSR will not accept responsibility for any claims arising from a poor installation.  
Please Note: The limited warranty shall be deemed null and void in the following circumstances:  
Failure by the installer, end user or any third party to exercise caution to protect any covered product or part from outside damage, adverse temperature (normal operating ambient temperature -20 ~ +40°C) humidity conditions, fluctuations in the electrical system or physical abuse as well as failure related to workmanship in the installation of the products or parts.

**Important User Advice**

Always safely isolate the mains supply before installing or servicing.  
Please note this luminaire is non-flammable. General maintenance and cleaning should be performed at least quarterly. Clean product outer using a damp cloth, the glass can be cleaned with hot soapy water, dried and buffed to a shine. Never use corrosive cleaners on or around the luminaires. KSR recommend protecting from exposure to natural elements in the form of a non-abrasive water repellent protection (eg. car wax).  
Please ensure that the surface that the luminaire is installed into is not corrosive to aluminium for the luminaires. At the end of life the luminaire is classed as WEEE under directive 2014/30/EU and should be disposed of in accordance with local legislation.

**Installation Procedure**

KSR recommends that you familiarise yourself with the installation. Once you are satisfied:  
Ensure mains supply is safely isolated.  
Drill/cut a 91-97mm hole and cement the plastic retainer into place or build in ensuring the front is flush with the finished wall/ground.  
Never fit the luminaire into the plastic Sleeve until the concrete/cement/plaster/render is fully dry.

**Ground Installation**

For ground installation a minimum of 300mm splingle for drainage below the fitting should be used and make sure it is not installed where water can pool as per fig 1.

**Wall Installation**

For Wall Installation please ensure sleeve provided is installed as per fig 2, if the wall is used as a barrier against soil or other loose substrate drainage must be allowed for.

Terminate the wiring using a suitable IP rated connector for the installation, (Brown - Live, Blue - Neutral and Green/Yellow - Earth).

Remove the retaining hex bolts, cover and glass.

Install the luminaire into the back box and secure using the supplied screws.

Grease and re-install the four hex bolts and tighten as per Fig.3 a quarter turn on each bolt until tight, do not over tighten.

Turn on mains supply and test.

91-97mm

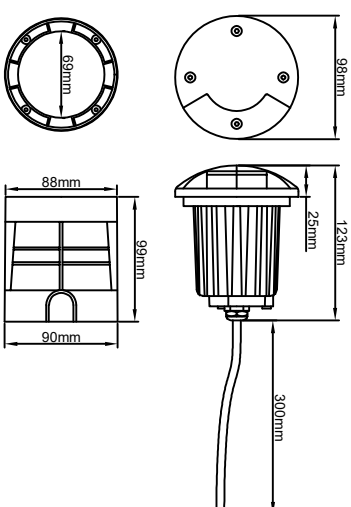
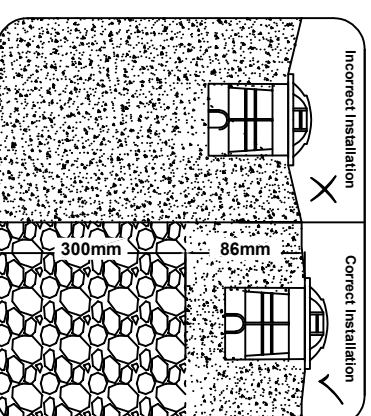


Fig. 1



**Back Box**

**Optional Covers**

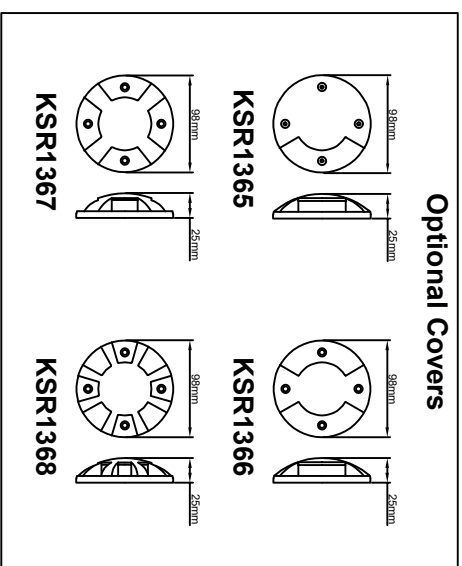


Fig. 2

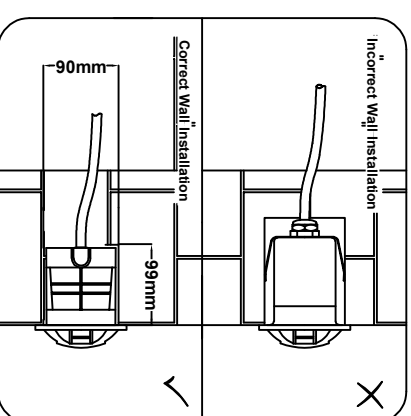
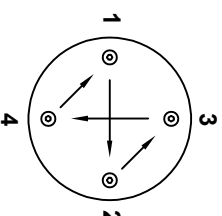


Fig. 3



**Lamp Details**

	Lamp Cap: Non-replaceable LED
	Lamp Colour: 4000K
	CRI: Ra80
	Wattage: 5W

The light source of this luminaire is not replaceable; when the light source reaches its end of life the whole luminaire shall be replaced

*This product contains a light source of energy efficiency class G*

KSR Lighting Aftersales: 023 92 674343

E-mail: aftersales@ksrlighting.com