



Available finish: Anthracite

Read these instructions before commencing installation. Please give these instructions to the owner/occupier after installation to retain for future reference/maintenance.

IP65 UK CA 240V~50Hz 9W/2x 5W

These fittings are Class I and must be Earthed

Important Information

It is recommended that these luminaires are installed and fitted by a qualified electrician ensuring the installation complies with current IEE wiring regulations & local building control. These products are designed for connection to a 240V~50Hz supply.

Any faulty, broken or damaged luminaires should be replaced immediately.

KSR will not accept responsibility for any claims arising from a poor installation.

Please Note: The limited warranty shall be deemed null and void in the following circumstances: Failure by the installer, end user or any third party to exercise caution to protect any covered product or part from outside damage, adverse temperature (normal operating ambient temperature -10 - +25°C), humidity conditions, fluctuations in the electrical system or physical abuse as well as failure related to workmanship in the installation of the products or parts.

Important User Advice

Always switch off mains supply before servicing.

A periodic maintenance schedule minimum once every 3 months should be used to ensure the paint finish. Always grease all screws.

Do not use Megger or similar high voltage instruments. Due to the fact this luminaire contains electronic components that maybe damaged by high test voltages, they must be disconnected from the circuit before testing.

To prevent damage to the driver, do not mix with conventional magnetic ballasts on the same electrical circuit.

At the end of life the luminaire is classed as WEEE under directive 2014/30/EU and should be disposed of in accordance with local legislation

Installation Procedure

Familiarize yourself with the luminaire/installation procedure and ensure the power is safely isolated before installing the luminaire

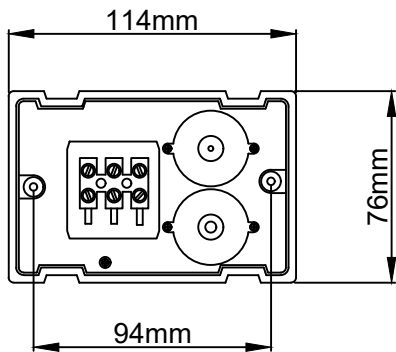
Remove the four retaining screws from the base of the wall light holding the back plate to the fitting.

Secure the back plate to a suitable surface, dressing supply cable through the supplied blank grommet. Ensuring the cable entry is in the top grommet, if looping out of the fitting puncture the lower grommet as required. Never loop in/out through the same grommet!

Connect the mains supply to the terminal block following the marking on the base and/or the guide in Fig 1 as below.

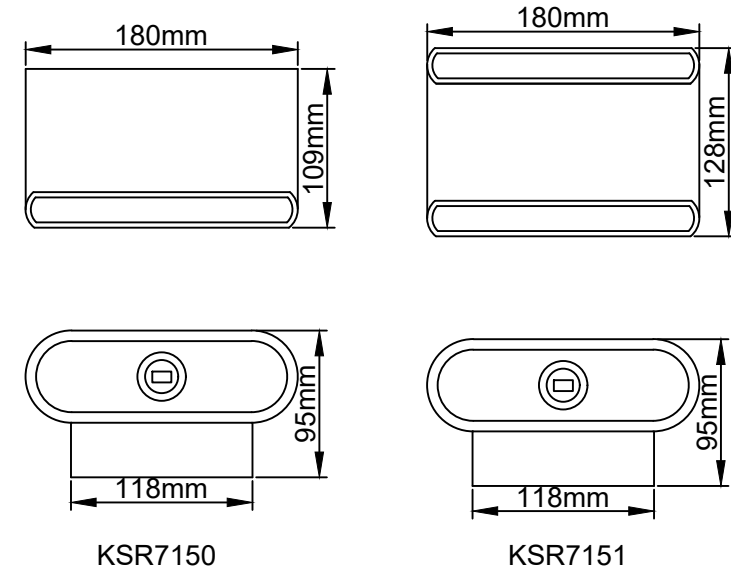
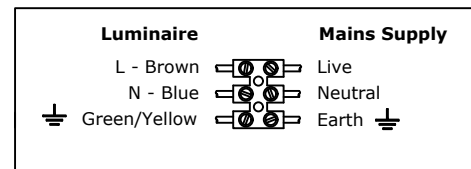
Place the fitting back on to the base plate and secure with the four grub screws.

Turn on the power and test.



Base Wall Plate

Fig. 1



*These products contain a light source of energy efficiency class E
The LED light source and Control Gear in this product can not be replaced; when the light source reaches the end of its life the whole luminaire shall be replaced*

Lamp Details
 KSR7150 - 9W LED Module
 KSR7151 - 2x 5W LED Modules
 3000K Warm White
The light source of this luminaire is not replaceable; when the light source reaches its end of life the whole luminaire shall be replaced



KSR Lighting Aftersales: 023 92 674343
 E-mail: aftersales@ksrlighting.com