

Read these instructions before commencing installation. Please give these instructions to the owner/occupier after installation to retain for future reference/maintenance.

IP55 240V~50Hz 3.5W

**Important Information**

It is recommended that these luminaires are installed and fitted by a qualified electrician ensuring the installation complies with current IEE wiring regulations & local building control. These products are designed for connection to a 240V~50Hz supply. Any faulty, broken or damaged luminaires should be replaced immediately. KSR will not accept responsibility for any claims arising from a poor installation. Please Note: The limited warranty shall be deemed null and void in the following circumstances: Failure by the installer, end user or any third party to exercise caution to protect any covered product or part from outside damage, adverse temperature (normal operating ambient temperature -15°C - +40°C), humidity conditions, fluctuations in the electrical system or physical abuse as well as failure related to workmanship in the installation of the products or parts.

**Important User Advice**

Always switch off mains supply before servicing. Do not use Megger or similar high voltage instruments. Due to the fact this luminaire contains electronic components that maybe damaged by high test voltages, they must be disconnected from the circuit before testing. To prevent damage to the driver, do not mix with conventional magnetic ballasts on the same electrical circuit. At the end of life the luminaire is classed as WEEE under directive 2014/30/EU and should be disposed of in accordance with local legislation.

**Installation Details**

Remove the two retaining allen screws from the front of the wall light. Remove the four screws that secure the main body of the fitting to the waterproof enclosure. Lastly remove the two retaining screws that connect the mounting box to the housing. Secure the mounting box to either a stud wall or solid wall following the cut out dimensions opposite. If building into a solid wall, concrete pointing may be required, ensure this is fully set before installing the light fitting. Dress your supply cable through the gland and terminate onto the fitting following the guide below. Taking care not to trap any of the supply cables reconstruct the luminaire finishing with the front cover. Turn on the power and test the luminaire.

Note: if possible place a small amount of grease on the retaining screw heads to allow for easy removal in the future if needed.

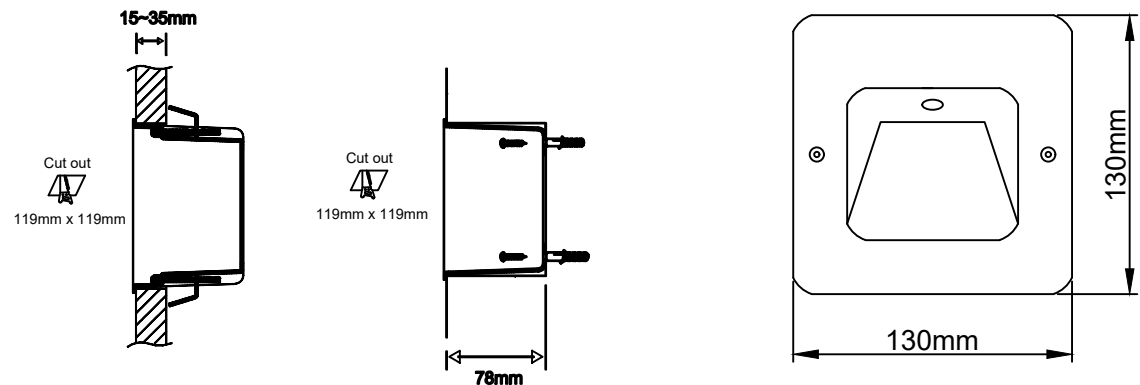
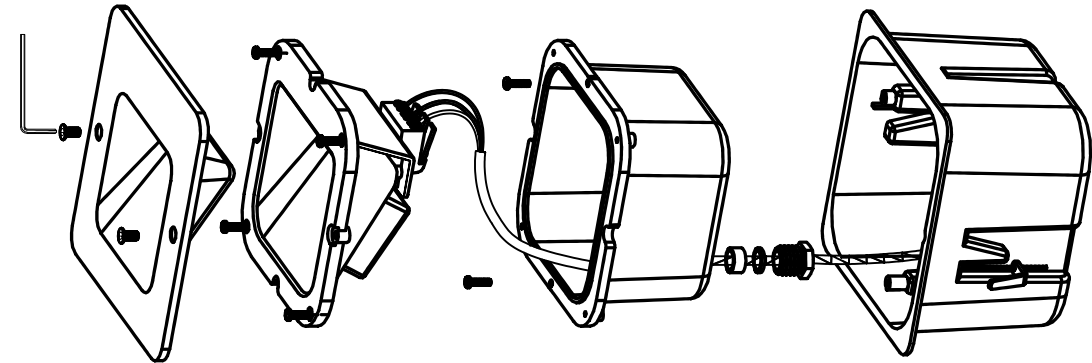
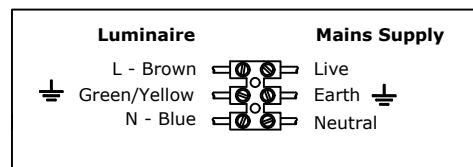


Fig. 1



**Lamp Details**

Light Source: Non Replaceable LED Module  
 Wattage: 3.5W  
 CCT: 3000K Warm White - 180lumens

*This product contains a light source of energy efficiency class E  
 The LED light source and Control Gear in this product is Non-replaceable.*



KSR Lighting Aftersales: 023 92 674343  
 E-mail: aftersales@ksrlighting.com