



LED Wall Light Anthracite with optional beam plates

Read these instructions before commencing installation. Please give these instructions to the owner/occupier after installation to retain for future reference/maintenance.

IP55 UK CA € 240VAC~50Hz 7.5W

**Important Information**

It is recommended that these luminaires are installed and fitted by a qualified electrician ensuring the installation complies with current IEE wiring regulations & local building control. These products are designed for connection to a 240V~50Hz supply.

Any faulty, broken or damaged luminaires should be replaced immediately.

KSR will not accept responsibility for any claims arising from a poor installation.

Please Note: The limited warranty shall be deemed null and void in the following circumstances:

Failure by the installer, end user or any third party to exercise caution to protect any covered product or part from outside damage, adverse temperature (normal operating ambient temperature -15°C - +40°C), humidity conditions, fluctuations in the electrical system or physical abuse as well as failure related to workmanship in the installation of the products or parts.

**Important User Advice**

Always switch off mains supply before servicing.

Do not use Megger or similar high voltage instruments. Due to the fact this luminaire contains electronic components that maybe damaged by high test voltages, they must be disconnected from the circuit before testing.

To prevent damage to the driver, do not mix with conventional magnetic ballasts on the same electrical circuit.

At the end of life the luminaire is classed as WEEE under directive 2014/30/EU and should be disposed of in accordance with local legislation.

**Installation Details**

Remove the four retaining screws from the base of the wall light holding the back plate to the fitting.

Secure the back plate to a suitable surface Fig.1.

Dress supply cable through the supplied blank grommet.

Ensure that you have a water tight seal around the cable failing to do so will allow water ingress and premature failure.

Connect the mains supply to the terminal block following the marking on the base and/or the guide in Fig.2 as below.

Place the fitting back on to the base plate and secure with the four screws ensuring all seals intact.

Turn on the power and test.

If using the optional beam plates, simply push them into place as required.

Note: We recommend greasing the four screws to allow for easy removal in the future if needed.

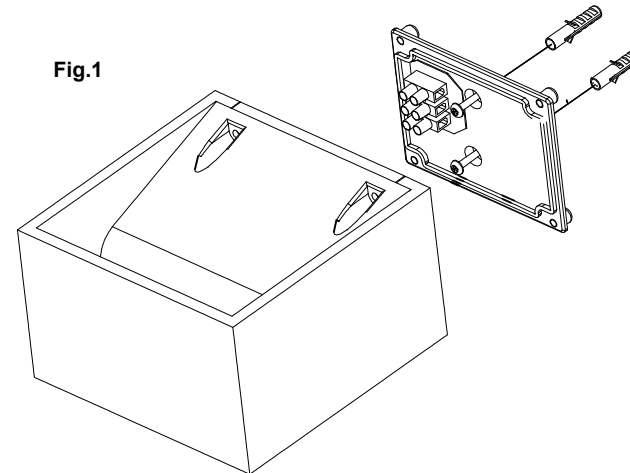


Fig.1

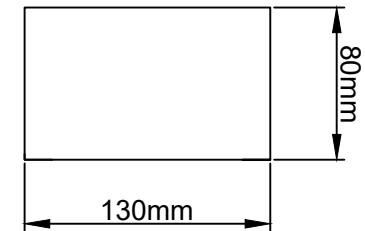
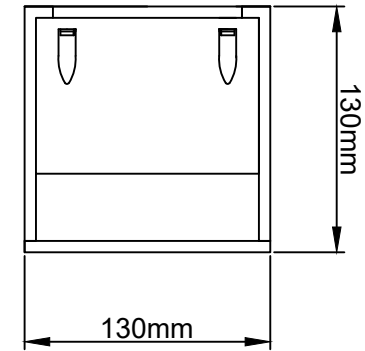
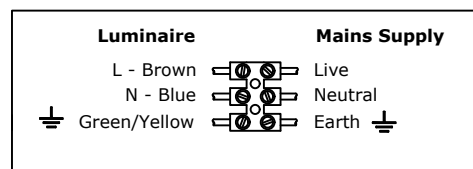


Fig.2



Lamp Details
Light Source: LED Module
Wattage: 7.5W
CCT: 3000K Warm White 450 Lumen
<small>The light source of this luminaire is not replaceable; when the light source reaches its end of life the whole luminaire can be serviced. If required the LED driver can be replaced at the end of life.</small>

*This product contains a light source of energy efficiency class E*



KSR Lighting Aftersales: 023 92 674343  
E-mail: aftersales@ksrlighting.com