



Read these instructions before commencing installation. Please give these instructions to the owner/occupier after installation to retain for future reference/maintenance.

IP65 IK10 **240V~50HZ 19W-65W**

These fittings are Class I and must be Earthed

Important Information

It is recommended that these luminaires are installed and fitted by a qualified electrician ensuring the installation complies with current IEE wiring regulations & local building control. These products are designed for connection to a 240V~50Hz supply. Any faulty, broken or damaged luminaires should be replaced immediately. KSR will not accept responsibility for any claims arising from a poor installation. Please Note: The limited warranty shall be deemed null and void in the following circumstances: Failure by the installer, end user or any third party to exercise caution to protect any covered product or part from outside damage, adverse temperature (normal operating ambient temperature 0 - 35°C), humidity conditions, fluctuations in the electrical system or physical abuse as well as failure related to workmanship in the installation of the products or parts.

Important User Advice

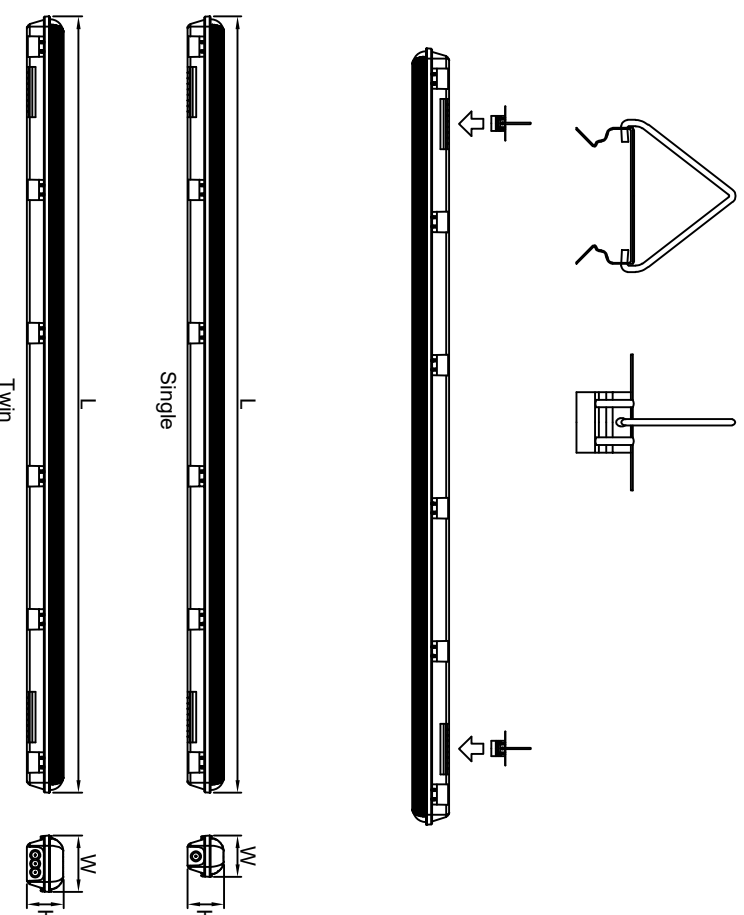
Always switch off mains supply before servicing. This luminaire is suitable for indoor use only and should not be fitted to damp or wet surfaces such as freshly plastered or painted ceilings. Do not use Megger or similar high voltage instruments. Due to the fact this luminaire contains electronic components that maybe damaged by high test voltages, they must be disconnected from the circuit before testing. To prevent damage to the driver, do not mix with conventional magnetic ballasts on the same electrical circuit. At the end of life the luminaire is classed as WEEE under directive 2014/30/EU and should be disposed of in accordance with local legislation.

Installation Procedure

Familiarize yourself with the luminaire/installation procedure and ensure the power is safely isolated before installing the luminaire. Separate the LED/Diffuser from the main body by unlatching the body retention clips. Remove the gear tray by unclipping the 2 plastic retaining clips (pinching together). Fix the fixing clips in place (can be mounted to besa boxes). For any suspension method please use brackets and hangers provided (Fig. 1)
 Drill and secure the cable gland supplied using any of the marked entry points on the single/1 on the twin body), route the supply cable 6-12mm round cable only through the cable gland.
 Connect the mains wiring, (SL) Switch Live, Unswitched Live (PL), Neutral (N) and Earth ().
Please note: For testing purposes a provision should be made in the circuit for disconnection of the unswitched live (i.e. key switch). Snap the gear tray onto the main body, ensuring it is properly located on the push clips.
 Ensure the cable gland is tightened and creating the seal around the cable.
 Replace diffuser and secure with retention clips.
 Turn on the power and test the luminaire
 This fitting requires a 24 Hour initial charge period prior to any emergency testing, please see overleaf for testing routine, write on the battery label in permanent ink the date of commissioning. All results must be recorded and left with the end user.
 The battery has a rated duration of at least 4 years but should be replaced if the duration of operation is less than 3 hours after a 24hr charge time with no interrupted supply.

LEDs are an inductive load so avoid unwanted MCB tripping it may be necessary to uprate your breakers.

Fig. 1



Lamp Details					
Product Code	Description	Dimensions L x W x H	Wattage	Colour	Lumens
KSR98880	Navara X IP-4S	1240mm x 89mm x 73mm	19W	4000K	2350
KSR98881	Navara X IP-4T	1240mm x 119mm x 73mm	38W	4000K	4580
KSR98882	Navara X IP-5S	1540mm x 89mm x 73mm	30W	4000K	3615
KSR98883	Navara X IP-5T	1540mm x 119 mm x 73mm	60W	4000K	6875
KSR98886	Navara X IP-6S	1840mm x 89mm x 73mm	35W	4000K	4385
KSR98887	Navara X IP-6T	1840mm x 119mm x 73mm	65W	4000K	7835

The light source of this luminaire is not replaceable; when the light source reaches its end of life the light source and control gear shall be replaced

This product contains a light source of energy efficiency class E

Available finish:- Grey Finish





All tests must be undertaken at times of least risk and in accordance with EN 50172:2004 as indicated below:

Daily:

LED charge indicators shall be visually inspected for correct operation.

Monthly:

(in addition to the daily check) If automatic testing devices are used, the results of the short duration tests shall be recorded. Test shall be carried out as follows:

1. Switch the luminaire over to emergency mode to operate from the batteries by simulating a failure of supply to the emergency circuit for a period sufficient to ensure correct luminaire operation.

Note: The period of simulation failure should be sufficient for the purpose of this clause whilst minimising damage to the system components e.g lamps. During this period, all luminaires shall be checked to ensure that they are present, clean and functioning correctly. At the end of this test period, the unswitched supply should be restored and any indicator lamp or device should be checked to ensure that is showing that the supply has been restored.

Annually:

If automatic testing devices are used, the results of the short duration tests shall be recorded. For all other systems the monthly inspection shall be carried out and the following additional tests made:

1. Each luminaire shall be tested monthly as above but for its full duration in accordance with the manufacturer's information.
2. The unswitched supply for the luminaire should be restored and any charge indicator lamp or device should be checked to ensure that it shows the unswitched supply has been restored. The charging arrangements should be checked for proper functioning.
3. The date of the test and its results shall be recorded in the system logbook.

A copy of this report must accompany any emergency luminaire returned to KSR Lighting for any reason.



Emergency Lighting Periodic Test Schedule

All emergency lighting should be installed and tested in accordance to EN5266-1:2011. This test schedule should remain onsite and be accessible to the relevant authorities on request.



Site Address: _____

Test Conducted By: _____

Date of Test Completion: _____

Comments/Actions

Em No.	Luminaire Location	Luminaire Type	Start Time	Duration (Mins)	*Pass/Fail	Comments/Actions

x =Pass, X=Fail, N/T=Not Tested, N/A=No Access, U/T=Incomplete Test