



Available Finish: White

Read these instructions before commencing installation. Please give these instructions to the owner/occupier after installation to retain for future reference/maintenance.

IP20 0.5m 240VAC~50Hz 35W Max.

These Fittings are Class I: Earth connection required.

Important Information

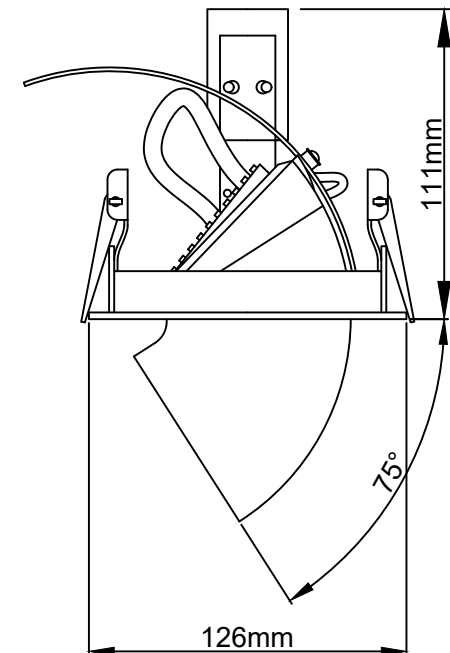
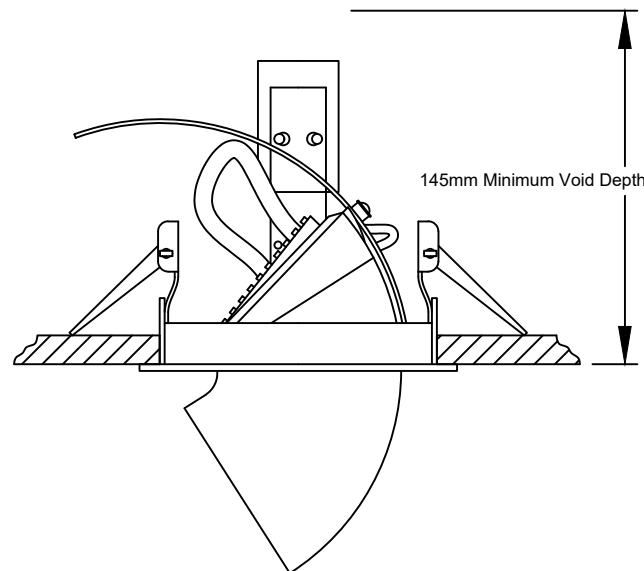
It is recommended that these luminaires are installed and fitted by a qualified electrician ensuring the installation complies with current IEE wiring regulations & local building control. These products are designed for connection to a 240V~50Hz supply. Any faulty, broken or damaged luminaires should be replaced immediately. KSR will not accept responsibility for any claims arising from a poor installation. Please Note: The limited warranty shall be deemed null and void in the following circumstances: Failure by the installer, end user or any third party to exercise caution to protect any covered product or part from outside damage, humidity conditions, fluctuations in the electrical system or physical abuse as well as failure related to workmanship in the installation of the products or parts.

Important User Advice

Always switch off mains supply before installing, lamp changes or servicing. This luminaire is suitable for indoor use only and should not be fitted to damp or wet surfaces such as freshly plastered or painted ceilings. At the end of life the luminaire is classed as WEEE under directive 2014/30/EU and should be disposed of in accordance with local legislation.

Installation Procedure

Cut a Ø115mm hole in the ceiling and ensure adequate minimum ceiling void without infringing on joist, water pipes and electrical cables. Connect this product to mains 240V supply following the markings on the terminal block. Fit this product as per illustration as shown Do not fit onto new plaster or damp areas. This luminaire is class I and requires an earth connection. Ensure there is adequate free air ventilation 100mm around the fitting and 25mm above. Place lamp into lampholder and turn on the mains supply to test the luminaire. Further adjustment to the lamp position should be done with extreme care as the lamps could get very hot very quickly. Never touch a hot lamp.



	ØRim Size	ØCut out	Void Depth Req'd	Max Wattage / Lamp Type
KSRDL166	126mm	115mm	140mm	GU10 35W

Lamp Details

Lamp Cap: GU10
Max Wattage: 35W

KSR Lighting recommend only branded lamps
For example: Sylvania, GE, Philips or Osram

