

Available Bezels: White, Chrome or Satin Chrome

**Read these instructions before commencing installation & retain them for future reference.**

**IP20** **240V 50W max**

**Important Information**

It is recommended that luminaires are installed and fitted by a qualified electrician ensuring the installation complies to current IEE wiring regulations & local building control. Any damaged parts should be replaced as soon as possible. KSR will not accept responsibility for any claims arising from a sub-standard installation.

**Important User Advice**

Always switch off mains supply before servicing.  
This product is designed to be used indoors only and is IP rated from the front as per the bezel installed.

**Installation Procedure**

KSR recommends that a sample hole is cut in some scrap material to familiarize yourself with the installation. Once you are completely satisfied: Locate the area's suitable to install these luminaires.

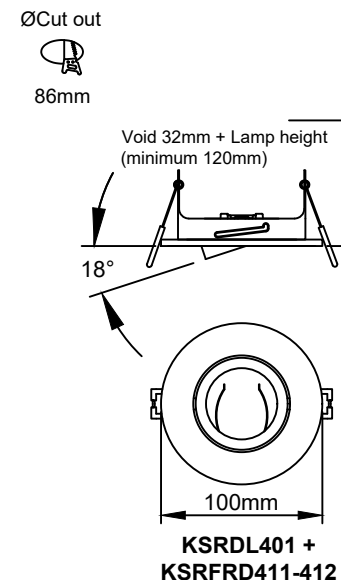
Safely isolate the mains supply.  
Cut a 86mm round hole in the ceiling and ensure sufficient ceiling void without infringing on joists, water pipes or electrical cables.

To use GU10 lamps a GU10 lampholder and bracket (KSRDL402) is needed along with the bezel of choice.  
Connect the lampholder to the mains supply (Brown - Live and Blue - Neutral). Snap the terminal cover down until the cable strain relief is gripping the outer insulation and fit the lampholder to the frame by sliding the bracket in to the spring clip please note this will be a tight fit as per Fig.1.

Fit the frame in to cut-out by pushing the two spring clips up so the run parallel with the frame, feed the springs gently in the cutout and release to let the frame pull itself into place.

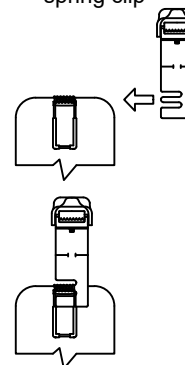
The downlight should NOT be covered in mineral wool insulation.  
Insert your lamp into the retaining ring on the bezel (sold separately), feed the lamp and lampholder cables into the frame/void and twist the bezel clockwise until resistance is felt, Do not over tighten to ease lamp changes.

Adjust tilt angle.  
Turn on the mains supply to test the luminaire.



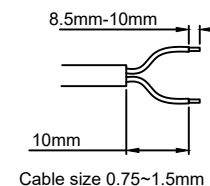
**Fig. 1**

Slide lampholder bracket into spring clip



**Installer Note:**

To ensure a good connection strip back a 8.5-10mm of insulation and push the cable firmly into the terminal block.



**Lamp Details**

Lamp Holder: GU10 Not Supplied  
Recommended Lampholder: KSRDL402  
Wattage: 50W

KSR Lighting Aftersales: 023 92 674343  
E-mail: aftersales@ksrlighting.com





Available Bezels: White, Chrome or Satin Chrome

Read these instructions before commencing installation & retain them for future reference.

IP20 0.3m UK CA CE 240V 5W or 10W

**Important Information**

It is recommended that luminaires are installed and fitted by a qualified electrician ensuring the installation complies to current IEE wiring regulations & local building control. Any damaged parts should be replaced as soon as possible. KSR will not accept responsibility for any claims arising from a sub-standard installation.

**Important User Advice**

Always switch off mains supply before servicing.  
The working ambient temperature should be -10°C ~ +40°C if outside these ranges the life span will be effected (reduced).  
This product is designed to be used indoors only and is IP rated from the front as per the bezel installed.

**Installation Procedure**

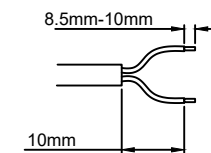
KSR recommends that a sample hole is cut in some scrap material to familiarize yourself with the installation. Once you are completely satisfied:  
Locate the area's suitable to install these luminaires.  
Cut a 86mm round hole in the ceiling and ensure sufficient ceiling void without infringing on joists, water pipes or electrical cables. Fit the frame into cut-out by pushing the two spring clips up so the run parallel with the frame, feed the springs gently in the cutout and release to let the frame pull itself into place.  
Remove and retain the terminal cover on the primary side of the driver connect the mains supply to the LED Driver (Blue - Neutral, Brown - Live). Earth terminals are provided for earth continuity only. The LED driver allows for mains loop in/loop out connections, if not looping through either of the L,E & N inputs can be used. Refit the terminal cover and push down until the cable strain relief is gripping the outer insulation.  
If using an optional beam angle lens fit this by removing the white retaining ring on the module by turning anti clockwise, change the lens and refit. Plug the driver into the LED head using the plug and play connector. Insert the driver into the void ensuring adequate free space 75mm all around and 25mm above the fitting. The downlight should NOT be covered in mineral wool insulation.  
Insert the module into the retaining ring on the bezel (sold separately), cables into the frame/void and twist the bezel clockwise until resistance is felt, Do not over tighten to ease lamp changes.  
Adjust tilt angle.  
Turn on the mains supply to test the luminaire.

\*Please note: Depending on the amount of fittings on a circuit you may have to upgrade the breaker to a 'C' or 'D' type due to the way electronic equipment starts up with higher inrush currents.

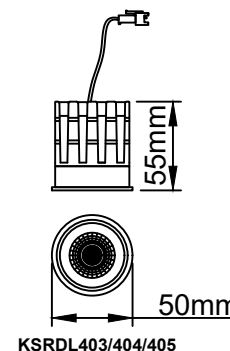
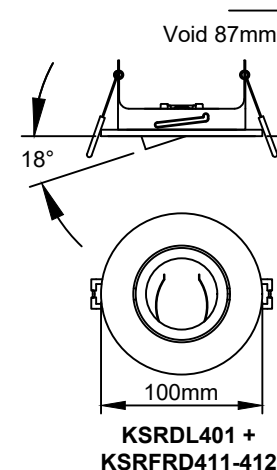


**Installer Note:**

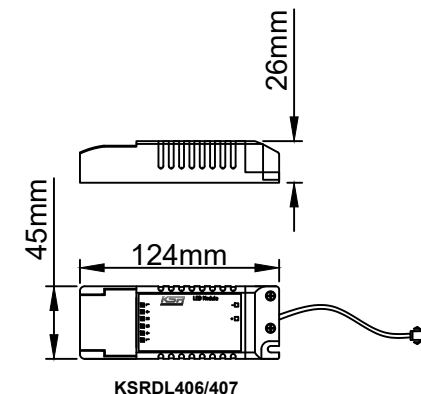
To ensure a good connection strip back a 8.5-10mm of insulation and push the cable firmly into the terminal block.



Cable size 0.75~1.5mm



KSRDL403/404/405



KSRDL406/407

**Module Details**

Code	Beam Angle	Dimmable	CCT	Lumen output per head	
				KSRDL406	KSRDL407
KSRDL403	37°	Yes	2700K	565lm	800lm
KSRDL404	37°	Yes	3000K	573lm	862lm
KSRDL405	37°	Yes	4000K	618lm	957lm

KSR Lighting Aftersales: 023 92 674343  
E-mail: aftersales@ksrlighting.com