

Boston LED Picture Light

Residential Lighting



Data Sheet

Product Information

The Boston LED Picture light comes in 3 metal finishes Chrome, Brass and Antique Brass. With the High CRI rating of Ra94 these fittings are ideal for residential and architectural applications.

Product Features

- 3 year warranty
- Class I
- IP20
- 3 finishes to choose from Chrome, Brass and Antique Brass.
- High CRI: Ra94
- Supplied in 3000K delivering 553lumens
- Non-Dimmable

KSR7266 CH



KSR7266ANT



Product Specification

Product Code	Product Description	Wattage (W)	CCT (K)	Lumens	CRI (Ra)	Energy Efficiency Class	Protection Class
KSR7266	Boston LED 2x5w 3000K Picture Light	2x5w	3000	553	94	A+	I

Nominal voltage	220~240VAC
Operating frequency	50/60Hz
Circuit Wattage	2x5w
Circuit Current	TBC
Driver Current Rating	TBC
PFC	0.9
In Rush Current	TBC
Ambient temperature range	-20°C to +40°C
IP rating	20

Construction

Body: Steel

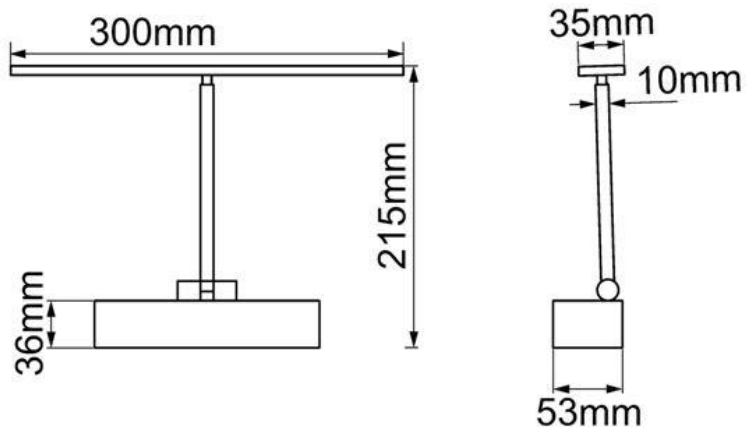
Standards

BSEN60598-1:2015 Luminaires – Part 1: General requirements and tests

In Conformity with

LVD Low voltage directive 2014/35/EU
EMC Electromagnetic compatibility directive 2014/30/EU
ERP Energy related products directive 2009/125/EC
RoHS Restriction of hazardous substances 2011/65/EU

Product Dimensions



KSR Lighting is constantly developing and improving its products. For this reason, all product descriptions in this data sheet are intended as a general guide, and KSR may change specifications from time to time in the interest of product development, without prior notification or public announcement. All descriptions in this data sheet present only general particulars of the goods to which they refer and shall not form part of any contract. Data in this guide has been obtained in controlled experimental conditions. However, KSR Lighting cannot accept any liability arising from the reliance on such data to the extent permitted.