

KSRDL166 GU10 Scoop

Commercial Lighting



Data Sheet

Product Information

The GU10 Scoop fittings are ideal for Retail and Commercial applications. This fitting can be fitted with Max 35W halogen or LED GU10 Lamps.

Product Features

- 1 year warranty
- IP20
- 75° Tilt
- Can be Rotated 350°
- GU10 Lamp holder Connections
- GU10 35w Max
- Suitable for retrofit LED GU10 lamps

Product Specification

Product Code	Product Description	Wattage (W)	Protection Class
KSRDL166	GU10 Scoop Downlight	Max 35w	I

Nominal voltage	240V AC
Operating frequency	50/60Hz
Circuit Wattage	Max 35w Halogen
Circuit Current	Variable depending on lamp choice
PFC	Variable depending on lamp choice
In Rush Current	Variable depending on lamp choice
Ambient temperature range	0°c to +30°c
IP rating	20

Construction

Body: Cast Aluminium

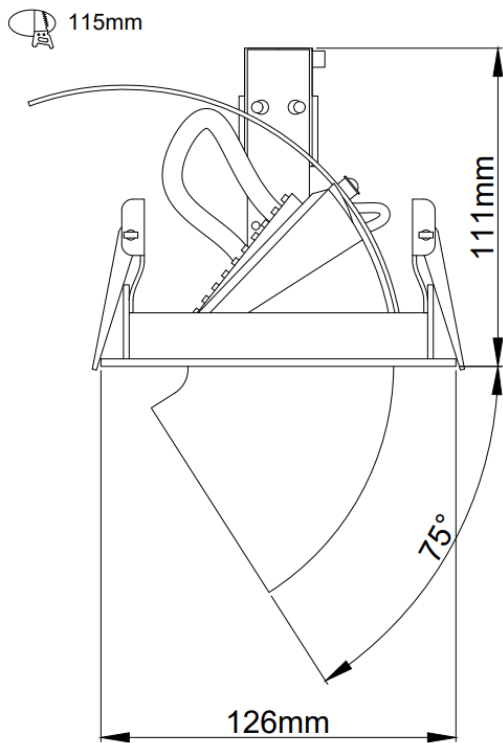
Standards

BSEN60598-1:2021 Luminaires – Part 1: General Requirements and tests

In Conformity with

LVD Low voltage directive 2014/35/EU
EMC Electromagnetic compatibility directive 2014/30/EU
ERP Energy related products directive 2019/2020/EC
RoHS Restriction of hazardous substances 2015/863/EU

Product Dimensions



KSR Lighting is constantly developing and improving its products. For this reason, all product descriptions in this data sheet are intended as a general guide, and KSR may change specifications from time to time in the interest of product development, without prior notification or public announcement. All descriptions in this data sheet present only general particulars of the goods to which they refer and shall not form part of any contract. Data in this guide has been obtained in controlled experimental conditions. However, KSR Lighting cannot accept any liability arising from the reliance on such data to the extent permitted.