

Lucia

Pendant Range

Pendant Lighting



Data Sheet

Product Information

Lucia E27 Pendant Range are ideal for Domestic and Hospitality applications. With two finishes available black and Aluminium.

Comes with a 1 year warranty for your peace of mind.

Product Features

- 1 year warranty
- IP20
- Class I
- Suitable for E27 and E27 LED filament lamps
- Available as a single pendant or a 3 drop style pendant
- 1.5m of cable supplied which is fully adjustable
- Black and Aluminium Finishes

Product Specification

Product Code	Product Description	Wattage (W)	Screw Cap	Lumens (lm)	Energy Efficiency Class	Protection Class
KSR7295	Lucia E27 Single Pendant Aluminium	35w Max	E27	Varies	Dependant on lamp choice	I
KSR7296	Lucia E27 Single Pendant Black	35w Max	E27	Varies	Dependant on lamp choice	I
KSR7297	Lucia E27 3 Light Pendant Aluminium	3x35w Max	E27	Varies	Dependant on lamp choice	I
KSR7298	Lucia E27 3 Light Pendant Black	3x35w Max	E27	Varies	Dependant on lamp choice	I

Nominal voltage	220-240VAC
Operating frequency	50/60Hz
Circuit Wattage	Dependant on lamp
Circuit Current	Dependant on lamp
Driver Current rating	N/A
PFC	varies
In Rush Current	varies
Ambient temperature range	0°C~+35°C
Start time	< 0.5 sec
IP rating	20

Construction

Body: Steel
Head: Aluminium

Standards

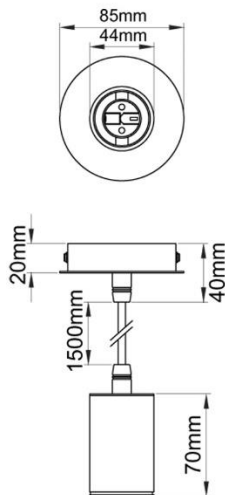
BSEN60598-1:2021 Luminaires – Part 1: General requirements and tests

In Conformity with

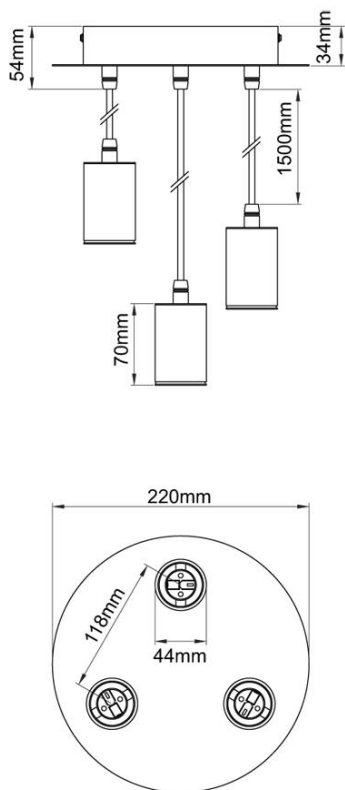
EMC Electromagnetic compatibility directive 2014/30/EU
RoHS Restriction of hazardous substances 2015/863/EU

Product Dimensions

KSR7295-96



KSR7297-98



KSR Lighting is constantly developing and improving its products. For this reason, all product descriptions in this data sheet are intended as a general guide, and KSR may change specifications from time to time in the interest of product development, without prior notification or public announcement. All descriptions in this data sheet present only general particulars of the goods to which they refer and shall not form part of any contract. Data in this guide has been obtained in controlled experimental conditions. However, KSR Lighting cannot accept any liability arising from the reliance on such data to the extent permitted.