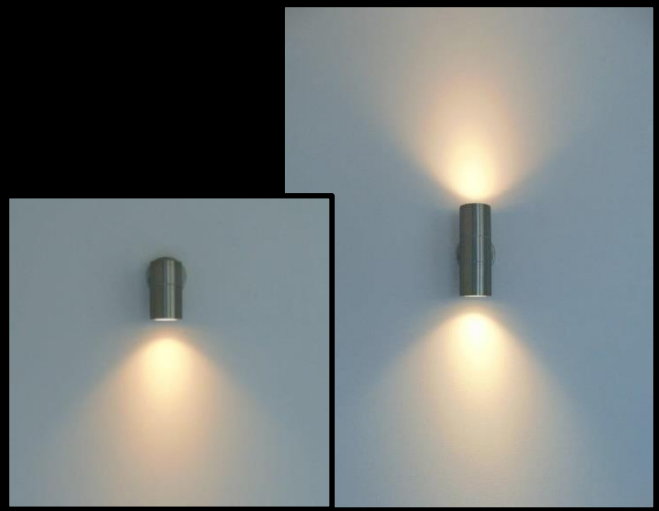


# Luso

*Exterior Wall Lighting*



## Product Information

The Luso wall light is perfect for lighting external walls, with 3 versions to choose from; a single head, adjustable head or the double up & down version.

The Luso Exterior wall light is well suited to domestic applications looking for a cost effective solution.

## Product Features

- 1 year warranty
- Class I
- IP44
- Single or double GU10 35W max.
- Available in 3 versions, single, adjustable single and up/down
- Suitable for retro fit GU10 LED lamps
- Not suitable for High Saline Areas
- Products supplied less lamp(s)
- 201 Stainless Steel

## Product Specification

Product Code	Product Description	Wattage	Lamp Cap	Energy Efficiency Class	Protection Class
KSR1356	Luso 35W GU10 Single Wall Light 201 Stainless Steel	35w	GU10	D	I
KSR1357	Luso 2x 35W GU10 Up & Down Wall Light 201 Stainless Steel	2x 35w	2x GU10	D	I
KSR1358	Luso GU10 Adjustable Single Wall Light 201 Stainless Steel	35w	GU10	D	I

<b>Nominal voltage</b>	220~240VAC
<b>Operating frequency</b>	50-60Hz
<b>Circuit Wattage</b>	Lamp dependent
<b>IP rating</b>	44

## Construction

Body: 201 Stainless Steel  
Lens: Clear Glass

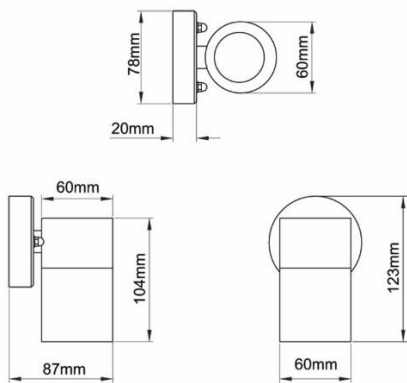
## Standards

BSEN60598-1:2015      Luminaires – Part 1: General requirements and tests

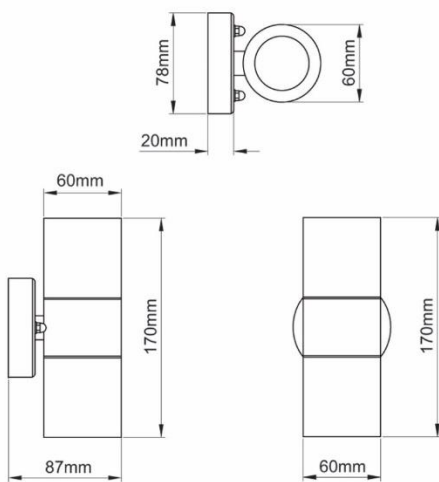
## In Conformity with

RoHS                      Restriction of hazardous substances 2011/65/EU

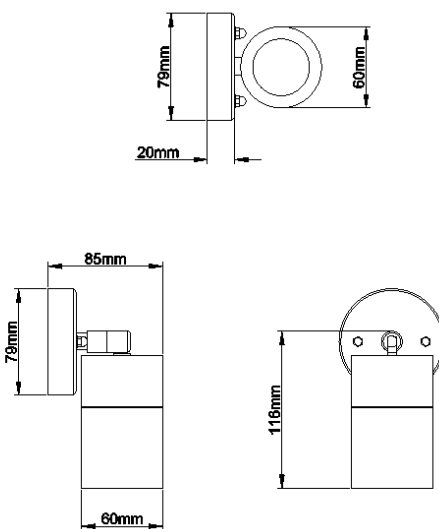
# Product Dimensions



## KSR1356



## KSR1357



KSR Lighting is constantly developing and improving its products. For this reason, all product descriptions in this data sheet are intended as a general guide, and KSR may change specifications from time to time in the interest of product development, without prior notification or public announcement. All descriptions in this data sheet present only general particulars of the goods to which they refer and shall not form part of any contract. Data in this guide has been obtained in controlled experimental conditions. However, KSR Lighting cannot accept any liability arising from the reliance on such data to the extent permitted.