



Mimas Mini LED Downlights

Residential Lighting



Data Sheet

Product Information

Mimas Mini LED recessed wall/ceiling downlight lights are ideal for lighting bathrooms, coves, canopies, and feature lighting.

Comes with a 2-year warranty for your peace of mind.



Product Features

- 2-year warranty
- IP65
- Class III
- Available in 3000K and 4000K
- 51° Beam Angle
- Black, White finishes and AISI 304 Stainless Steel available
- 3 versions to choose from a fixed, Tilt and Baffle Rim option.
- Requires 24V constant voltage driver.
- Must be wired in Parallel.
- Mains Dimmable when used with KSRDL292 or KSRDL293 (see www.ksrlighting.com for compatible dimmer lists)
- L70/B30 – 30,000hr

Product Specification

Product Code	Product Description	Wattage (W)	CCT (K)	Lumens (lm)	Protection Class
KSRDL460	Mimas Mini LED 3000K Fixed Downlight White	3w per head	3000	120	III
KSRDL461	Mimas Mini LED 4000K Fixed Downlight White	3w per head	4000	154	III
KSRDL462	Mimas Mini LED 3000K Fixed Downlight Black	3w per head	3000	97	III
KSRDL463	Mimas Mini LED 4000K Fixed Downlight Black	3w per head	4000	112	III
KSRDL464	Mimas Mini LED 3000K Fixed Downlight Stainless Steel	3w per head	3000	131	III
KSRDL465	Mimas Mini LED 4000K Fixed Downlight Stainless Steel	3w per head	4000	146	III
KSRDL466	Mimas Mini LED 3000K Tilt Downlight White	3w per head	3000	136	III
KSRDL467	Mimas Mini LED 4000K Tilt Downlight White	3w per head	4000	136	III
KSRDL468	Mimas Mini LED 3000K Tilt Downlight Black	3w per head	3000	107	III
KSRDL469	Mimas Mini LED 4000K Tilt Downlight Black	3w per head	4000	116	III
KSRDL470	Mimas Mini LED 3000K Tilt Downlight Stainless Steel	3w per head	3000	128	III
KSRDL471	Mimas Mini LED 4000K Tilt Downlight Stainless Steel	3w per head	4000	144	III
KSRDL472	Mimas Mini LED 3000K Baffle Downlight White	3w per head	3000	116	III
KSRDL473	Mimas Mini LED 4000K Baffle Downlight White	3w per head	4000	138	III
KSRDL474	Mimas Mini LED 3000K Baffle Downlight Black	3w per head	3000	108	III
KSRDL475	Mimas Mini LED 4000K Baffle Downlight Black	3w per head	4000	104	III
Accessories					
KSRDL287	20w 24V constant voltage IP67 rated LED driver	20w Max	N/A	N/A	II
KSRDL288	60w 24V constant voltage IP67 rated LED driver	60w Max	N/A	N/A	II
KSRDL292	25w 24V Dimmable constant voltage IP20 rated LED driver	25w Max	N/A	N/A	II
KSRDL293	50w 24V Dimmable constant voltage IP20 rated LED driver	50w Max	N/A	N/A	II

Nominal voltage	24VDC
Operating frequency	N/A
Circuit Wattage	3.8w (Typical consumption)
Circuit Current	0.05A
Driver Current rating	24VDC
PFC	0.3
In Rush Current	Dependant on driver specification
Ambient temperature range	-10°C~+35°C
Start time	< 0.5 sec
IP rating	65

Construction

Body:	Cast Aluminium
Rim:	Cast Aluminium or AISI 304L Stainless Steel

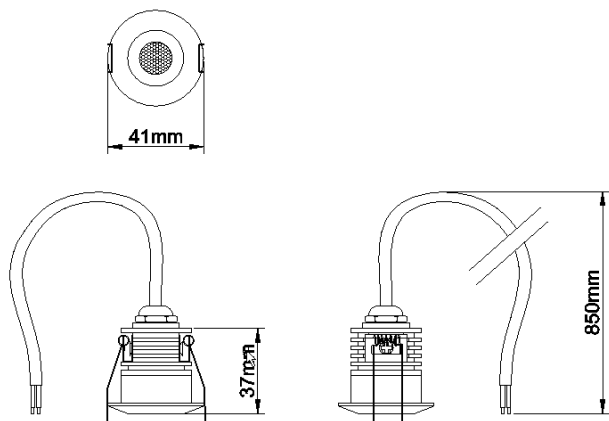
Standards

BSEN60598-1:2021	Luminaires – Part 1: General requirements and tests
------------------	---

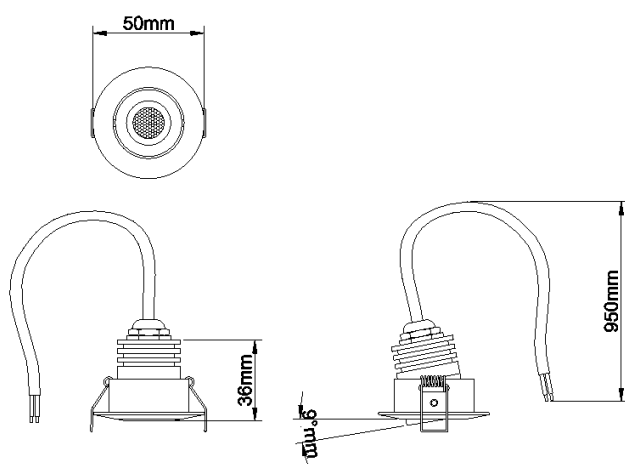
In Conformity with

LVD	Low voltage directive 2014/35/EU
EMC	Electromagnetic compatibility directive 2014/30/EU
ERP	Energy related products directive 2019/2020/EU
RoHS	Restriction of hazardous substances 2015/863/EU

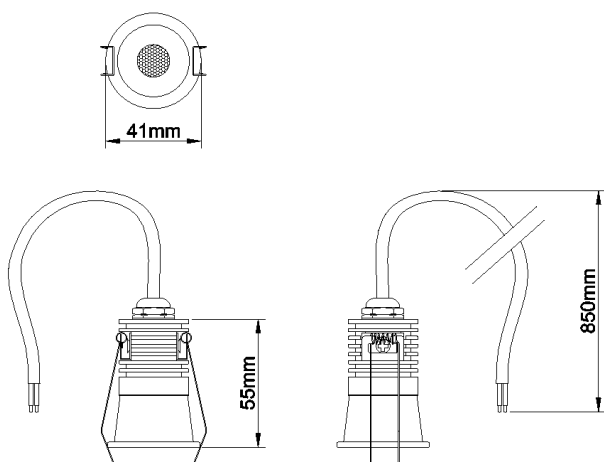
Product Dimensions



KSRDL460-465



KSRDL466-471



KSRDL472-475

KSR Lighting is constantly developing and improving its products. For this reason, all product descriptions in this data sheet are intended as a general guide, and KSR may change specifications from time to time in the interest of product development, without prior notification or public announcement. All descriptions in this data sheet present only general particulars of the goods to which they refer and shall not form part of any contract. Data in this guide has been obtained in controlled experimental conditions. However, KSR Lighting cannot accept any liability arising from the reliance on such data to the extent permitted.