

Monda LED Bulkhead

Exterior Bulkheads



Product Information

The Monda LED Bulkheads are available with 3 diffuser options Clear, Opal and Red making them a versatile range for external applications.

Product Features

- 2 year warranty
- IP65/IK08
- Class I
- 10w 4000K LED
- Available to order with PIR sensor
- Up to CRI: Ra85 using the Opal Diffuser option
- Multiple entry Points
- L70 – 30,000Hrs



KSR1170 CL



KSR1170 OP



KSR1170 RD

Product Specification

Product Code	Product Description	Wattage (W)	CCT (K)	Lumens (lm)	CRI (Ra)	Protection Class
KSR1170 CL	Monda 10w 4000K LED Polycarbonate Bulkhead with Clear Diffuser	10w	4000	1140	84	I
KSR1170 OP	Monda 10w 4000K LED Polycarbonate Bulkhead with Opal Diffuser	10w	4000	880	85	I
KSR1170 RD	Monda 10w 4000K LED Polycarbonate Bulkhead with Red Diffuser	10w	4000	180	69	I

Nominal voltage	220~240VAC
Operating frequency	50/60Hz
Circuit Wattage	9.7w including driver losses
Circuit Current	TBC
Driver mA Rating	TBC
PFC	0.8
In Rush Current	TBC
Ambient temperature range	-10°C to +35°C
IP rating	65

Construction

Body: Polycarbonate
Lens: Polycarbonate

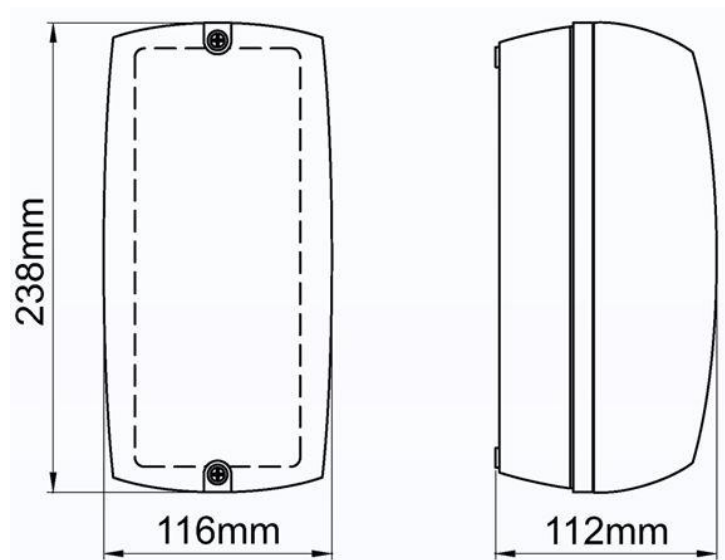
Standards

BSEN60598-1:2021 Luminaires – Part 1: General requirements and tests

In Conformity with

LVD Low voltage directive 2014/35/EU
EMC Electromagnetic compatibility directive 2014/30/EU
ERP Energy related products directive 2019/2020/EU
RoHS Restriction of hazardous substances 2015/863/EU

Product Dimensions



KSR Lighting is constantly developing and improving its products. For this reason, all product descriptions in this data sheet are intended as a general guide, and KSR may change specifications from time to time in the interest of product development, without prior notification or public announcement. All descriptions in this data sheet present only general particulars of the goods to which they refer and shall not form part of any contract. Data in this guide has been obtained in controlled experimental conditions. However, KSR Lighting cannot accept any liability arising from the reliance on such data to the extent permitted.