

Salta LED Bulkhead Range

Exterior Bulkheads



Data Sheet

Product Information

The Salta LED range are low powered and slim profile fitting which is well suited to residential applications. With its high Saline resistance these fittings are suitable for use in coastal areas.

This Range is available in 4 versions and in 2 colour temperatures.

Product Features

- 3 year warranty
- IP44
- Class II
- Available in 3000K and 4000K LED
- Full Polycarbonate construction
- Suitable for high Saline areas
- Non-Dimmable
- L70 – 25,000hrs

KSR1335



KSR1336



KSR1337



KSR1338



Product Specification

Product Code	Product Description	Wattage (W)	CCT (K)	Lumens (lm)	CRI (Ra)	Energy Efficiency Class	Protection Class
KSR1335	Salta 1.5w LED Round Surface Polycarbonate Bulkhead	1w	3000	49	80	G	II
		1.5w	4000	50			
KSR1336	Salta 1.5w LED Square Surface Polycarbonate Bulkhead	1w	3000	42	80	G	II
		1.5w	4000	39			
KSR1337	Salta 3w LED Surface Polycarbonate Bulkhead	1.6w	3000	75	80	G	II
		3w	4000	61			
KSR1338	Salta 1w LED Surface Polycarbonate Bulkhead	1w	3000	19	80	G	II
			4000	21			

Technical Data	Salta 1.5w	Salta 3w	Salta 1w
Nominal voltage	220~240VAC	220~240VAC	220~240VAC
Operating frequency	50Hz	50Hz	50Hz
Circuit Wattage	1.3w	3w	0.8w
Circuit Current	0.01A	0.02A	0.01A
Driver mA Rating	N/A	N/A	N/A
PFC	0.85	0.85	0.85
In Rush Current	0.10A Max Peak	0.10A Max Peak	0.10A Max Peak
Ambient temperature range	-10°C to +30°C	-10°C to +30°C	-10°C to +30°C
IP rating	44	44	44

Construction

Body: Polycarbonate
 Lens: Clear Polycarbonate

Standards

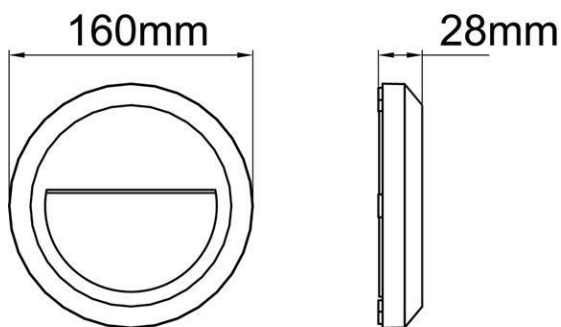
BSEN60598-1:2021 Luminaires – Part 1: General requirements and tests

In Conformity with

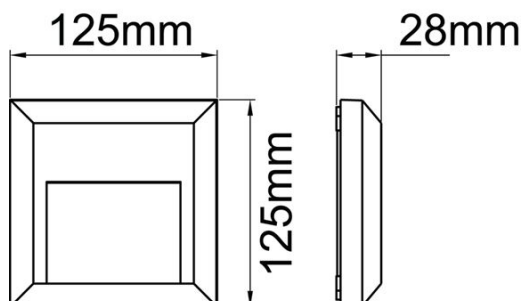
LVD Low voltage directive 2014/35/EU
 EMC Electromagnetic compatibility directive 2014/30/EU
 ERP Energy related products directive 2019/2020/EU
 RoHS Restriction of hazardous substances 2015/863/EU

Product Dimensions

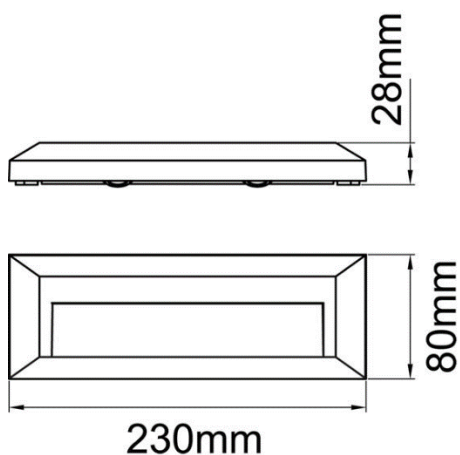
KSR1335



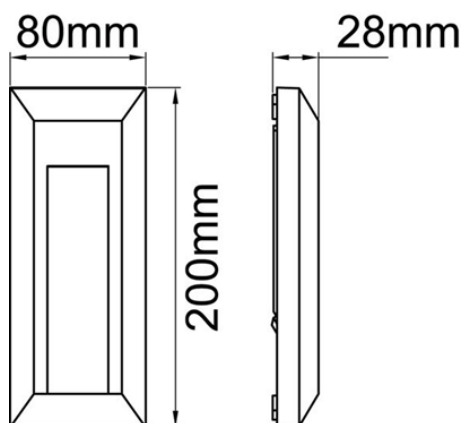
KSR1336



KSR1337



KSR1338



KSR Lighting is constantly developing and improving its products. For this reason, all product descriptions in this data sheet are intended as a general guide, and KSR may change specifications from time to time in the interest of product development, without prior notification or public announcement. All descriptions in this data sheet present only general particulars of the goods to which they refer and shall not form part of any contract. Data in this guide has been obtained in controlled experimental conditions. However, KSR Lighting cannot accept any liability arising from the reliance on such data to the extent permitted.