

Siena LED Wall Pack

Exterior Bulkheads



Data Sheet

Product Information

The Siena LED Wall Packs are available with photocell for dusk till dawn sensing and are available in emergency.

A versatile range for external applications.

Product Features

- 2 year warranty
- IP65/IK10
- Class I
- 30w 4000K LED
- CRI: Ra83
- Available to order with PEC sensor
- Available to order with emergency options
- Multiple Entry Points
- L70-30,000hrs

Product Specification

Product Code	Product Description	Wattage (W)	CCT (K)	Lumens (lm)	CRI (Ra)	Protection Class
KSR1165	Siena 30w 4000K LED Wall Pack	30w	4000	2031	83	I
KSR1166	Siena 30w 4000K LED Wall Pack with Photocell	30w	4000	2031	83	I
KSR1167	Siena 30w 4000K LED Wall Pack with Emergency	30w	4000	2031	83	I

Nominal voltage	100~240VAC
Operating frequency	50/60Hz
Circuit Wattage	30w including driver losses
Circuit Current	0.4A
Driver mA Rating	700mA
PFC	0.9
In Rush Current	0.6A Max Peak
Ambient temperature range	-10°C to +40°C
IP rating	65

Construction

Body: Cast Aluminium
Lens: Polycarbonate

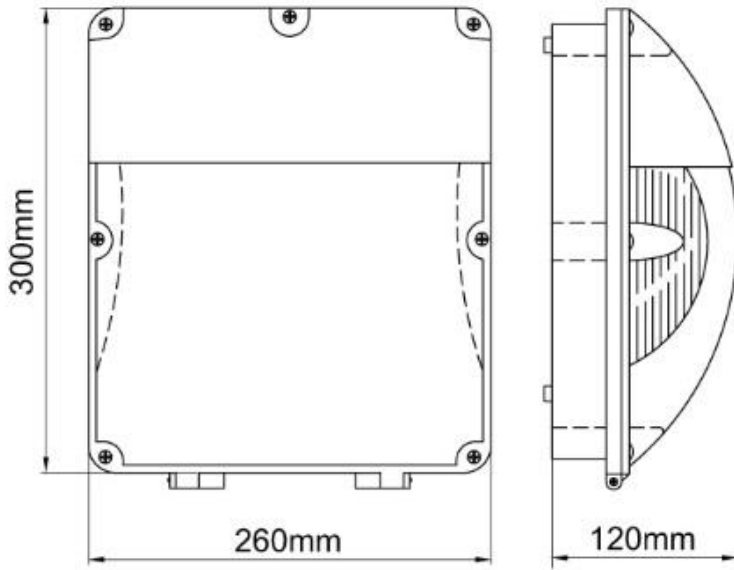
Standards

BSEN60598-1:2021 Luminaires – Part 1: General requirements and tests
BSEN60598-2-22:2014+A1 2020 Luminaires – Part 2: lighting for Emergency

In Conformity with

LVD Low voltage directive 2014/35/EU
EMC Electromagnetic compatibility directive 2014/30/EU
ERP Energy related products directive 2019/2020/EU
RoHS Restriction of hazardous substances 2015/863/EU

Product Dimensions



KSR Lighting is constantly developing and improving its products. For this reason, all product descriptions in this data sheet are intended as a general guide, and KSR may change specifications from time to time in the interest of product development, without prior notification or public announcement. All descriptions in this data sheet present only general particulars of the goods to which they refer and shall not form part of any contract. Data in this guide has been obtained in controlled experimental conditions. However, KSR Lighting cannot accept any liability arising from the reliance on such data to the extent permitted.