

# Tulua

*Floodlights & Spotlights*



Data Sheet

## Product Information

The Tulua spotlight range compliment the matching wall light luminaires when you want to highlight other areas but keep the same style of luminaire to match.

## Product Features

- 1 year warranty
- Class I
- IP65 Single spot
- IP44 Twin spot
- GU10 35W Max
- Dimmable (lamp dependent)
- 500mm of Pre-wired flex
- Spike accessory for twin spot available to order
- Not suitable available for high saline areas

# Product Specification

Product Code	Product Description	Wattage (W)	Lamp Cap	Energy Efficiency Class	Protection Class	IP Rating
KSR1344	Tulua GU10 Single Spike Spotlight	35W	GU10	D	I	65
KSR1345	Tulua GU10 Floor Lamp	2x 35W	2x GU10	D	I	44
KSR1346	Tulua Spike Accessory for KSR1345					

Nominal voltage	220~240VAC
Operating frequency	50-60Hz
Power	GU10 35W Max
Ambient Temperature Range	-10°C to +30°C

## Construction

Body: Aluminium  
Lens: Glass

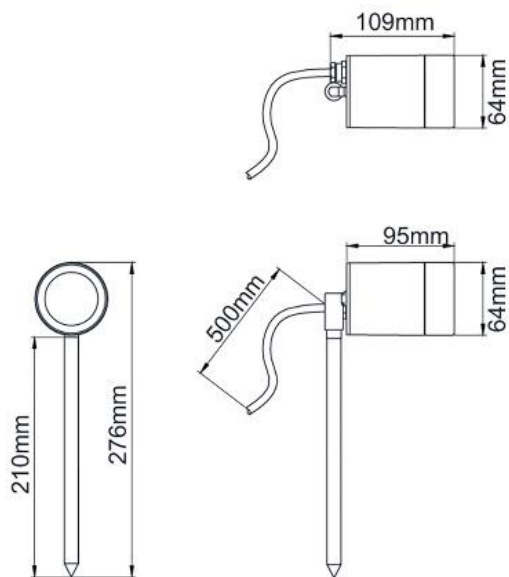
## Standards

BSEN60598-1:2021 Luminaires – Part 1: General requirements and tests

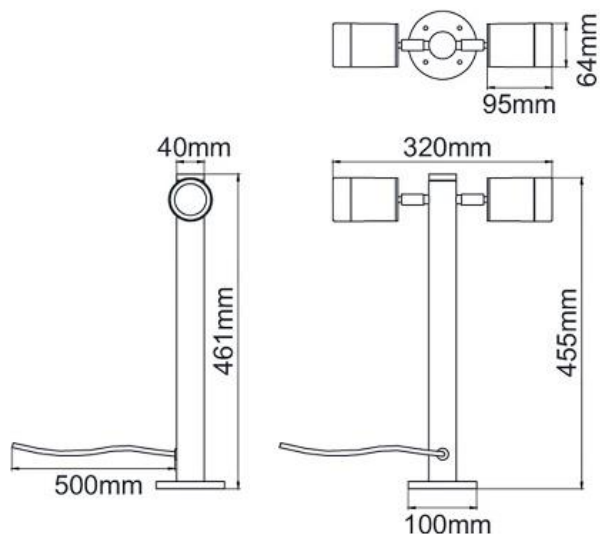
## In Conformity with

LVD Low voltage directive 2014/35/EU  
RoHS Restriction of hazardous substances 2015/863/EU

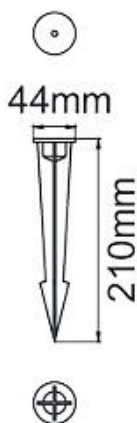
# Product Dimensions



**KSR1344**



**KSR1345**



**KSR1346**

KSR Lighting is constantly developing and improving its products. For this reason, all product descriptions in this data sheet are intended as a general guide, and KSR may change specifications from time to time in the interest of product development, without prior notification or public announcement. All descriptions in this data sheet present only general particulars of the goods to which they refer and shall not form part of any contract. Data in this guide has been obtained in controlled experimental conditions. However, KSR Lighting cannot accept any liability arising from the reliance on such data to the extent permitted.