

Tulua III LED PIR

Exterior Wall Lighting



Data Sheet

Product Information

The Tulua III LED PIR wall light is perfect for up/down lighting external walls with the added security feature of an integrated PIR sensor.

Made of 304 grade stainless steel which is ideal for most areas.

Product Features

- 2 year warranty
- Class I
- IP44
- 5w 3000K LED
- CRI: Ra80
- Not suitable for high saline areas
- L70 – 25,000hrs

Product Specification

| Product Code | Product Description | Wattage (W) | CCT (K) | Lumens (lm) | CRI (Ra) | PIR Viewing Angle | Energy Efficiency Class 2021 | Protection Class |
|--------------|--|-------------|---------|-------------|----------|-------------------|------------------------------|------------------|
| KSR1318 | Tulua III 2x 5w 3000K LED Up & Down Wall Light with PIR Sensor | 2x 5w | 3000 | 650 | 80 | 110° | G | I |

| | |
|---------------------------|----------------|
| Nominal voltage | 220~240VAC |
| Operating frequency | 50Hz |
| Circuit Wattage | 10w |
| Circuit Current | 0.025A |
| Driver mA Rating | 210mA |
| PFC | 0.6 |
| In Rush Current | 0.45A Max Peak |
| Ambient temperature range | -10°C to +30°C |
| Start time | < 0.5 sec |
| IP rating | 44 |

PIR Parameters

| | |
|-----------------|-------------------------|
| PIR Range | 9m Max Mounted at 4m |
| Detection Angle | 110° |
| Time Adjust | 12 seconds to 4 minutes |
| Lux Control | Min 9lux |

Construction

Body: 304 Stainless Steel
Lens: Glass

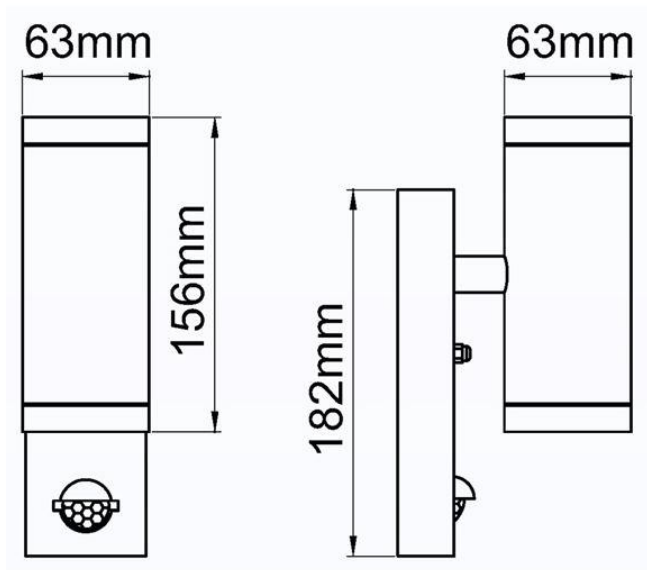
Standards

BSEN60598-1:2021 Luminaires – Part 1: General requirements and tests

In Conformity with

LVD Low voltage directive 2014/35/EU
EMC Electromagnetic compatibility directive 2014/30/EU
ERP Energy related products directive 2019/2020/EU
RoHS Restriction of hazardous substances 2015/863/EU

Product Dimensions



KSR Lighting is constantly developing and improving its products. For this reason, all product descriptions in this data sheet are intended as a general guide, and KSR may change specifications from time to time in the interest of product development, without prior notification or public announcement. All descriptions in this data sheet present only general particulars of the goods to which they refer and shall not form part of any contract. Data in this guide has been obtained in controlled experimental conditions. However, KSR Lighting cannot accept any liability arising from the reliance on such data to the extent permitted.