

Tulua III

PIR

Exterior Wall Lighting



Data Sheet

Product Information

The Tulua III GU10 PIR wall light is perfect for up/down lighting external walls with the added security feature of an integrated PIR sensor.

Product Features

- 1 year warranty
- Class I
- IP44
- Suitable for use with LED Retrofit lamps
- Suitable for use with up to 35w GU10 lamps
- Not suitable for high saline areas
- 304 Stainless Steel, White and Black Finishes available

Product Specification

Product Code	Product Description	Wattage	CCT (K)	Lumens (lm)	CRI (Ra)	PIR Viewing Angle	Energy Efficiency Class	Protection Class
KSR1340	Tulua III GU10 PIR Single Wall light Stainless Steel	1x 35w Max	varies	varies	varies	110°	varies	I
KSR1341	Tulua III GU10 PIR Up & Down Wall Light Stainless Steel	2x 35w Max	varies	varies	varies	110°	varies	I
KSR1347	Tulua III GU10 PIR Single Wall light Black	1x 35w Max	varies	varies	varies	110°	varies	I
KSR1348	Tulua III GU10 PIR Up & Down Wall Light Black	2x 35w Max	varies	varies	varies	110°	varies	I
KSR1392	Tulua III GU10 PIR Single Wall light White	1x 35w Max	varies	varies	varies	110°	varies	I
KSR1393	Tulua III GU10 PIR Up & Down Wall Light White	2x 35w	varies	varies	varies	110°	varies	I

Nominal voltage	220~240VAC
Operating frequency	50/60Hz
Circuit Wattage	35w Max
Circuit Current	varies
Driver mA Rating	varies
PFC	varies
In Rush Current	varies
Ambient temperature range	0°c to +30°c
IP rating	44

PIR Parameters

PIR Range	9m Max Mounted at 4m
Detection Angle	110°
Time Adjust	12 seconds to 4 minutes
Lux Control	Min 9lux

Construction

Body: 304 Stainless steel (KSR1340-1) or Cast Aluminium (KSR1347-8 and KSR1391-2)
Lens: Glass

Standards

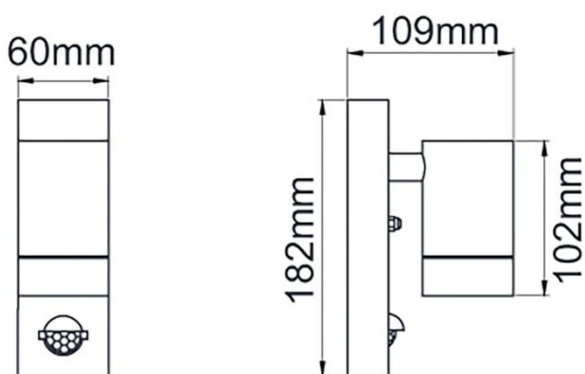
BSEN60598-1:2021 Luminaires – Part 1: General requirements and tests

In Conformity with

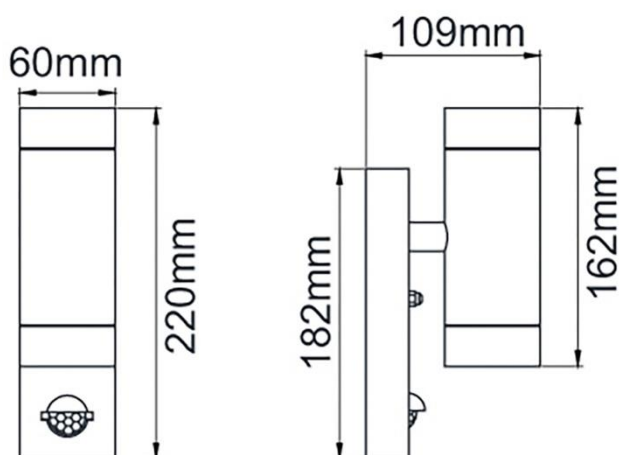
LVD	Low voltage directive 2014/35/EU
EMC	Electromagnetic compatibility directive 2014/30/EU
ERP	Energy related products directive 2019/2020/EU
RoHS	Restriction of hazardous substances 2015/863/EU

Product Dimensions

KSR1340/47/92



KSR1341/48/93



KSR Lighting is constantly developing and improving its products. For this reason, all product descriptions in this data sheet are intended as a general guide, and KSR may change specifications from time to time in the interest of product development, without prior notification or public announcement. All descriptions in this data sheet present only general particulars of the goods to which they refer and shall not form part of any contract. Data in this guide has been obtained in controlled experimental conditions. However, KSR Lighting cannot accept any liability arising from the reliance on such data to the extent permitted