



Available finish:- Polished Chrome

Read these instructions before commencing installation. Please give these instructions to the owner/occupier after installation to retain for future reference/maintenance.

IP20 240V~50/60Hz 8W LED

These fittings are Class I and must be Earthed

Important Information

It is recommended that these luminaires are installed and fitted by a qualified electrician ensuring the installation complies with current IEE wiring regulations & local building control. These products are designed for connection to a 240V~50/60Hz supply.

Any faulty, broken or damaged luminaires should be replaced immediately.

KSR will not accept responsibility for any claims arising from a poor installation.

Please Note: The limited warranty shall be deemed null and void in the following circumstances: Failure by the installer, end user or any third party to exercise caution to protect any covered product or part from outside damage, humidity conditions, fluctuations in the electrical system or physical abuse as well as failure related to workmanship in the installation of the products or parts.

Important User Advice

Always safely isolate mains supply before fitting/servicing.

This luminaire is suitable for indoor use only and should not be fitted to damp or wet surfaces such as freshly plastered or painted walls.

At the end of life the luminaire is classed as WEEE under directive 2014/30/EU and should be disposed of in accordance with local legislation.

Installation Procedure

Familiarize yourself with the luminaire and ensure the power is safely isolated before installing.

Remove the fixing bracket by removing and retaining the 2 screws on the side of the base.

Mark the position of the fixings on the wall, avoiding any wiring in the wall.

Mount wall bracket using suitable fixings for the substrate ensuring the bracket is level before proceeding to next step.

Open terminal block casing.

Support luminaire whilst making connections. Always avoid straining cables.

Prepare supply cables as follows:

Remove 6mm of insulation from the L / N / E connections.

Connect as per Fig 1 - supply (L) Brown to the Brown lead, connect the Neutral (N) Blue to the Blue lead and connect the Earth (E) Green/Yellow to the Green/Yellow lead as per the terminal block.

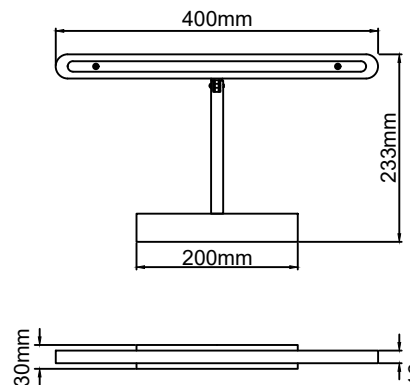
When carrying out the connection procedure always ensure all termination screws are fully tightened and no loose strands of wire are present.

Snap shut terminal block casing.

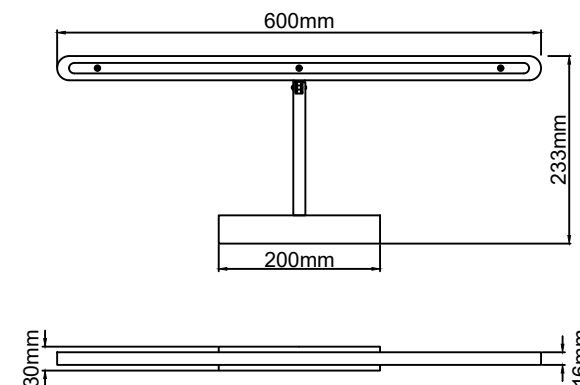
After you have terminated the wiring proceed to select the CCT colour you require using the switch (Never switch the CCT colour while powered up as this can damage the LED chips).

Secure the luminaire to the wall bracket using the 2 screws retained ensuring not to damage or trap any of the wiring or leave any wires exposed.

Turn on power to test luminaire.

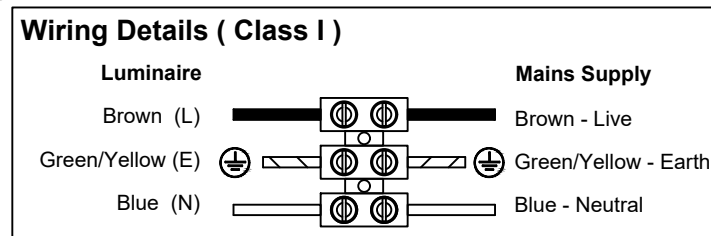


KSR6267



KSR6268

Fig. 1



Lamp Details				Lumen Outputs		
Product Code	Description	Power	CRI	3000K	4000K	6000K
KSR6267	Scan LED CCT 400mm Picture Light	8W	>Ra82	465	540	485
KSR6268	Scan LED CCT 600mm Picture Light	8W	>Ra82	495	555	500

The light source of this luminaire is not replaceable; when the light source reaches its end of life the whole luminaire shall be replaced



KSR Lighting Aftersales: 023 92 674343
E-mail: aftersales@ksrlighting.com