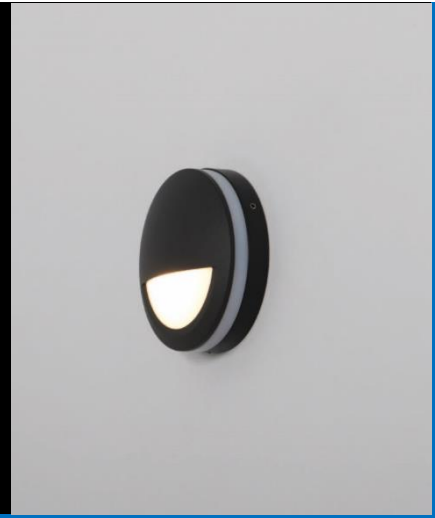


Amapa LED

Exterior Bulkheads



Data Sheet

Product Information

The Amapa LED Bulkhead are low energy and small exterior surface fitting which are well suited to residential applications.

This Range is available as an Eyelid version only.

Product Features

- 2 year warranty
- IP65
- Class I
- High efficiency LED
- High CRI: ra87
- Strong Cast Aluminium Body
- Non-Dimmable

Product Specification

| Product Code | Product Description | Wattage (W) | CCT (K) | Lumens (lm) | CRI (Ra) | Energy Efficiency Class | Protection Class |
|--------------|--|-------------|---------|-------------|----------|-------------------------|------------------|
| KSR1394 | Amapa LED Round Eyelid Surface Wall Light Anthracite | 6w Max | 3000 | 65 | 87 | A+ | I |

| | |
|---------------------------|------------------------------|
| Nominal voltage | 220~240VAC |
| Operating frequency | 50-60Hz |
| Circuit Wattage | 5.6w including driver losses |
| Circuit Current | 0.04 |
| Driver mA Rating | N/A |
| PFC | 0.6 |
| In Rush Current | 0.186A Max Peak |
| Ambient temperature range | -15°C to +30°C |
| IP rating | 65 |

Construction

Body: Cast Aluminium
Lens: Opal Polycarbonate

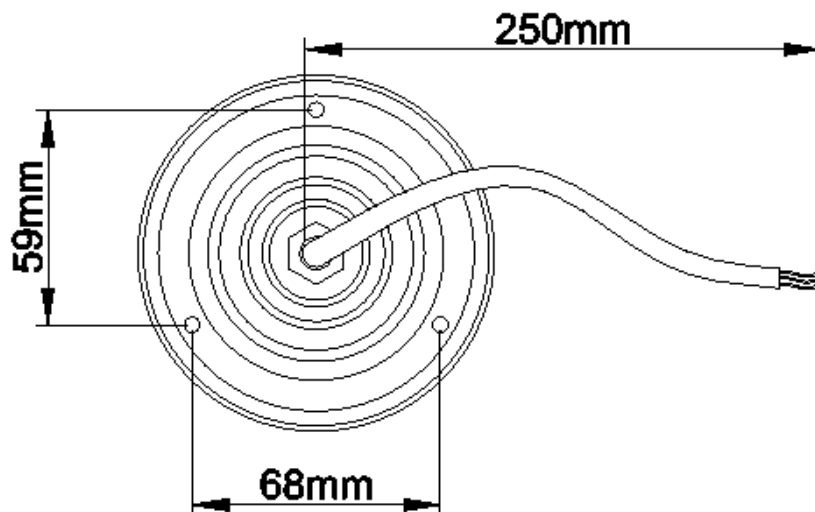
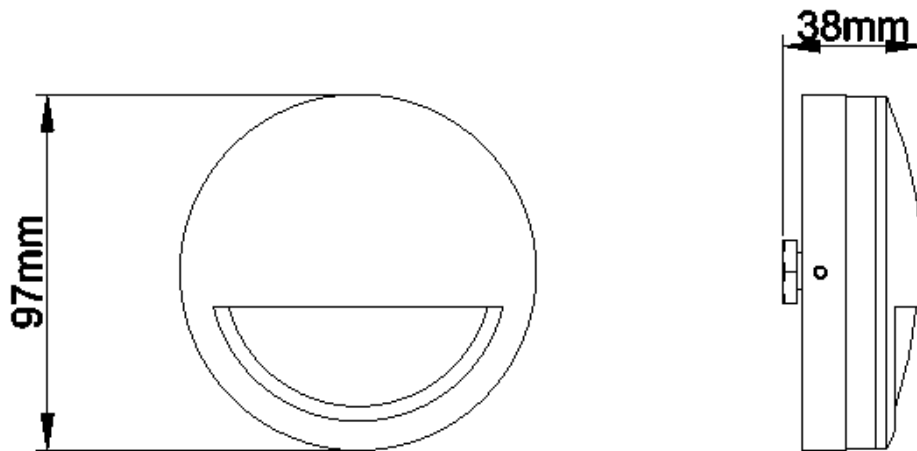
Standards

BSEN60598-1:2015 Luminaires – Part 1: General requirements and tests

In Conformity with

LVD Low voltage directive 2014/35/EU
EMC Electromagnetic compatibility directive 2014/30/EU
ERP Energy related products directive 2009/125/EC
RoHS Restriction of hazardous substances 2011/65/EU

Product Dimensions



KSR Lighting is constantly developing and improving its products. For this reason, all product descriptions in this data sheet are intended as a general guide, and KSR may change specifications from time to time in the interest of product development, without prior notification or public announcement. All descriptions in this data sheet present only general particulars of the goods to which they refer and shall not form part of any contract. Data in this guide has been obtained in controlled experimental conditions. However, KSR Lighting cannot accept any liability arising from the reliance on such data to the extent permitted.