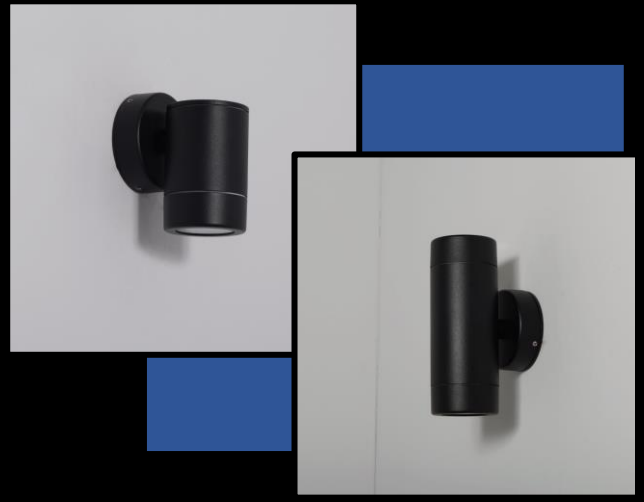


# Tulua Range

*Exterior Wall Lighting*



Data Sheet

## Product Information

The Tulua wall light is perfect for lighting external walls using either the single or the double up & down version.

## Product Features

- 1 year warranty
- Class I
- IP65/IP54 for Photocell version
- Single or double GU10 35W max.
- Suitable for retro fit GU10 LED lamps
- Not suitable for high saline areas
- Black, White or 304 Stainless Steel Finishes
- Products supplied less lamps



# Product Specification

Product Code	Product Description	Wattage (W)	Lamp Cap	Energy Efficiency Class	Protection Class
KSR1342	Tulua GU10 Single Wall Light Black	35	GU10	Lamp Dependant	I
KSR1343	Tulua 2x GU10 Up & Down Wall Light Black	2x 35	2x GU10	Lamp Dependant	I
KSR1390	Tulua GU10 Single Wall Light White	35	GU10	Lamp Dependant	I
KSR1391	Tulua 2x GU10 Up & Down Wall Light White	2x 35	2x GU10	Lamp Dependant	I
KSR1395	Tulua GU10 Single Wall light with Photocell Black	35	GU10	Lamp Dependant	I
KSR1396	Tulua 2x GU10 Up & Down Wall Light with Photocell Black	2x35	2x GU10	Lamp Dependant	I
KSR1397	Tulua GU10 Single Wall light with Photocell 304 Stainless Steel	35	GU10	Lamp Dependant	I
KSR1398	Tulua 2x GU10 Up & Down Wall Light with Photocell 304 Stainless Steel	2x35	2x GU10	Lamp Dependant	I

<b>Nominal voltage</b>	220~240VAC
<b>Operating frequency</b>	50-60Hz
<b>Circuit Power</b>	35w Max Halogen
<b>IP rating</b>	65/54 for photocell version

## Construction

Body: Powder Coated Aluminium or 304 Stainless Steel  
Lens: Glass

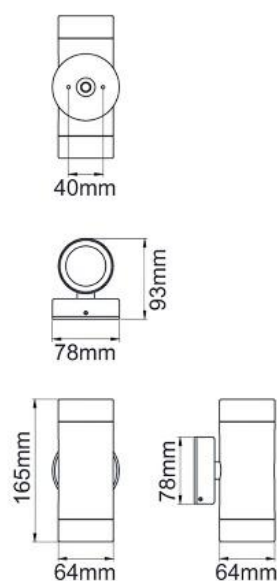
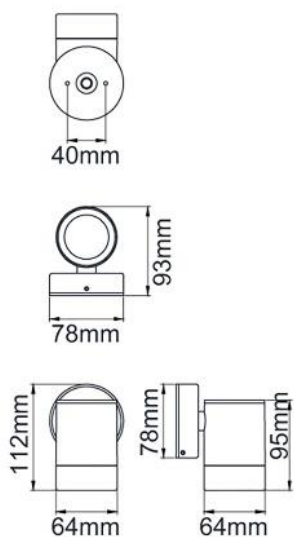
## Standards

BSEN60598-1:2021 Luminaires – Part 1: General requirements and tests

## In Conformity with

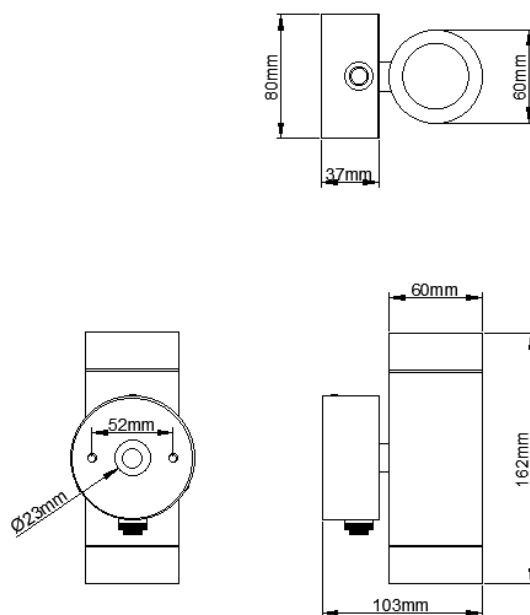
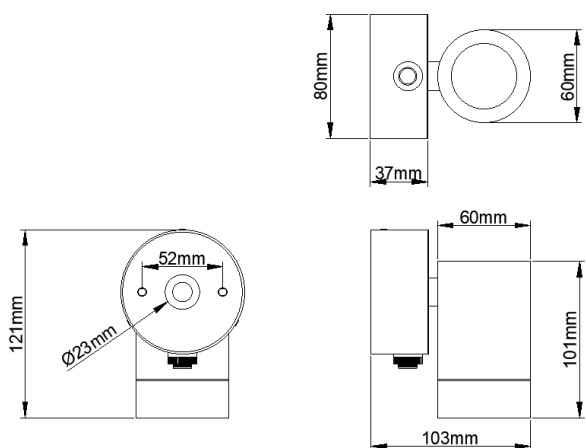
LVD Low voltage directive 2014/35/EU  
RoHS Restriction of hazardous substances 2015/863/EU

# Product Dimensions



**KSR1342/1390**

**KSR1343/1391**



**KSR1395/1397**

**KSR1396/1398**

KSR Lighting is constantly developing and improving its products. For this reason, all product descriptions in this data sheet are intended as a general guide, and KSR may change specifications from time to time in the interest of product development, without prior notification or public announcement. All descriptions in this data sheet present only general particulars of the goods to which they refer and shall not form part of any contract. Data in this guide has been obtained in controlled experimental conditions. However, KSR Lighting cannot accept any liability arising from the reliance on such data to the extent permitted.