

Read these instructions before commencing installation & retain them for future reference.

IP20 \oplus CE 240V 50Hz 50W Max D 0.5m

Important Information

It is recommended that luminaires are installed by a qualified electrician. The installation of this product must comply with the current edition of the IEE wiring regulations BS7671. These products are designed for connection to a 240V 50Hz supply. Any damaged parts should be replaced as soon as possible. KSR will not accept responsibility for any claims arising from a poor installation.

Important User Advice

Always switch off mains supply before installation or servicing.

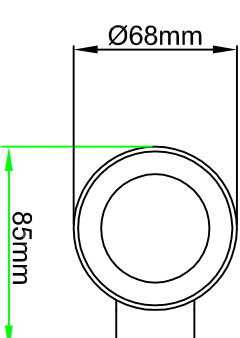
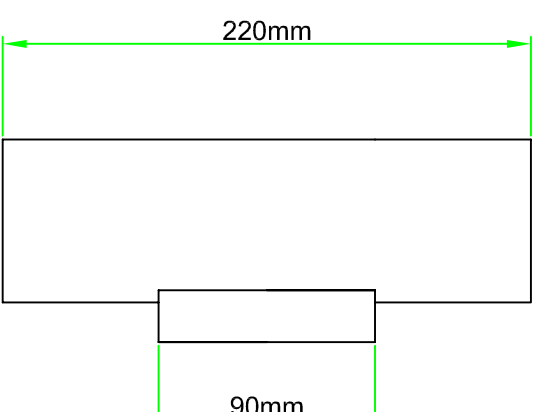
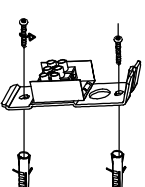
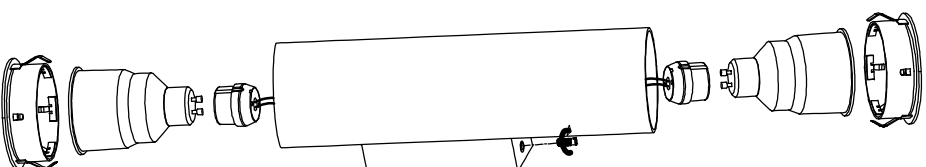
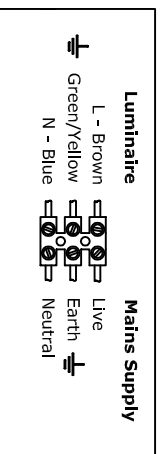
Installation Details

Remove the retaining grub screws from the bottom of the wall light back box holding the back plate to the fitting.
Mark the wall for the fixing points, ensure the bracket is fixed so the retaining grub screw is at the bottom once installed.
Secure the back plate to a suitable surface, dressing supply cable to ensure it is not snagged on any part of the bracket.
Connect the mains supply to the terminal block following the marking on the base and/or the guide in Fig 1 as below.
Place the fitting back on to the base plate and secure with the grub screw.
Install lamps, turn on the power and test.

Lamp Details

Light Source: 2 x GU10 Lamps
Wattage: 50W Max Halogen, suitable for LED retrofit lamps.
Lamp Not Included

Fig. 1



GU10 Up/Down Wall Light, White, Black or Aluminium Finish