



Read these instructions before commencing installation. Please give these instructions to the owner/occupier after installation to retain for future reference/maintenance.

IP65 240V~50Hz 46W max.

These fittings are Class I and must be Earthed

Important Information

It is recommended that these luminaires are installed and fitted by a qualified electrician ensuring the installation complies with current IEE wiring regulations & local building control. These products are designed for connection to a 240V~50Hz supply.

Any faulty, broken or damaged luminaires should be replaced immediately.

KSR will not accept responsibility for any claims arising from a poor installation.

Please Note: The limited warranty shall be deemed null and void in the following circumstances: Failure by the installer, end user or any third party to exercise caution to protect any covered product or part from outside damage, adverse temperature (normal operating ambient temperature -15 ~ +40°C), humidity conditions, fluctuations in the electrical system or physical abuse as well as failure related to workmanship in the installation of the products or parts.

Important User Advice

Always switch off mains supply before servicing lamp changes and maintenance.

Please ensure that a suitable maintenance schedule is performed including greasing all moving parts and protection from exposure to natural elements in the form of a non-abrasive cleaner/water repellent protection to ensure the product gives you a long lasting trouble free life.

Installation Procedure

Safely isolate the mains supply before installation.

Make up fixing kit as per Figure 1 dig a hole at least 210mm x 210mm square by 200mm deep.

Direct suitable cable from the source to the centre of the hole making sure there is enough cable to reach the terminal block for the bollard you have purchased.

Pour concrete into the hole and while still wet insert the fixing kit ensuring that the threaded bar protrudes the correct length to fit the bollard base.

Once the concrete has set, fix the bollard base to the fixing kit using the spring washers and nuts provided as per Figure 2.

Remove the head by loosening the 3 grub screws.

Remove the lampholder tray by turning anticlockwise route the cable through the cable gland (8mm-12mm) and terminate wiring as per Figure 3. Tighten the cable gland ensuring a water tight connection. Install suitable lamp not exceeding the maximum wattage.

Connect the earth wire from the head into the earth terminal block.

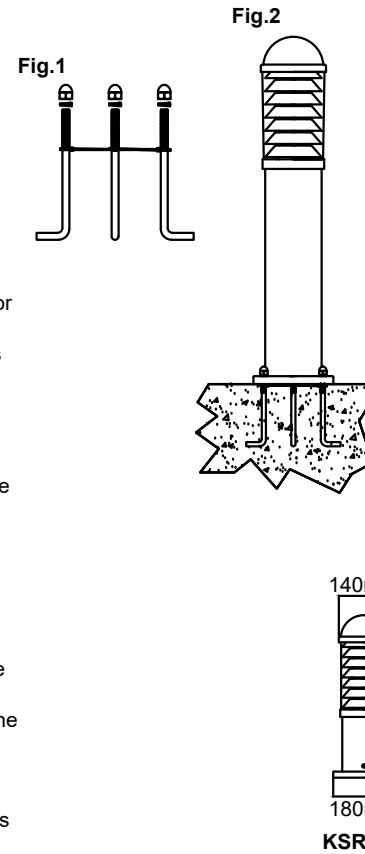
Refit the lampholder tray in reverse of removal ensuring the seal is in place (Insert the seal into the head not around the tray).

Refit the bollard head ensuring the head locates onto the 3 lugs in the body, grease the 3 grub screws and tighten.

Turn mains supply on and test luminaire.

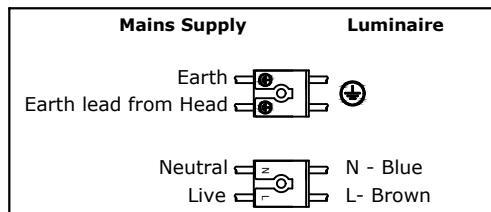
Never touch a hot lamp.

Do Not expose luminaire to areas where high pollution and saline maybe present.



Supplied Fixing Kit

Fig.3



Lamp Details

Lamp Cap: E27 GLS
Wattage: 46W (max)

KSR Lighting recommend only branded lamps
For example: Sylvania, GE, Philips or Osram



KSR Lighting Aftersales: 023 92 674343
E-mail: aftersales@ksrlighting.com