



Coria Bollard Range

Bollards



Data Sheet

Product Information

The Coria Bollard Range is a Traditional bollard range suitable for use with 46W E27 lamp. Available in a Black Finish.

Suitable for Domestic or Commercial Applications



Product Features

- 1 year warranty
- Class I
- IP65
- Suitable for use with E27 46W Max lamps
- Comes complete with Concrete fixing kit

Product Specification

Product Code	Product Description	Wattage (W)	Lamp Cap	Lumens (lm)	CRI (Ra)	Energy Efficiency Class	Protection Class
KSR9910	Coria E27 750mm Bollard	46W Max	E27	Varies	Varies	D	I
KSR9912	Coria E27 1000mm Bollard	46W Max	E27	Varies	Varies	D	I
KSR9915	Coria E27 450mm Bollard	46W Max	E27	Varies	Varies	D	I
Accessories							
KSR9914	Coria Root Mounting Kit						

Nominal voltage	220~240VAC
Operating frequency	50-60Hz
Circuit Wattage	Dependant on Lamp Choice
Temperature Range	-15°c to 40°c
IP rating	65

Construction

Body: Cast & Extruded Aluminium
Lens: Clear PMMA

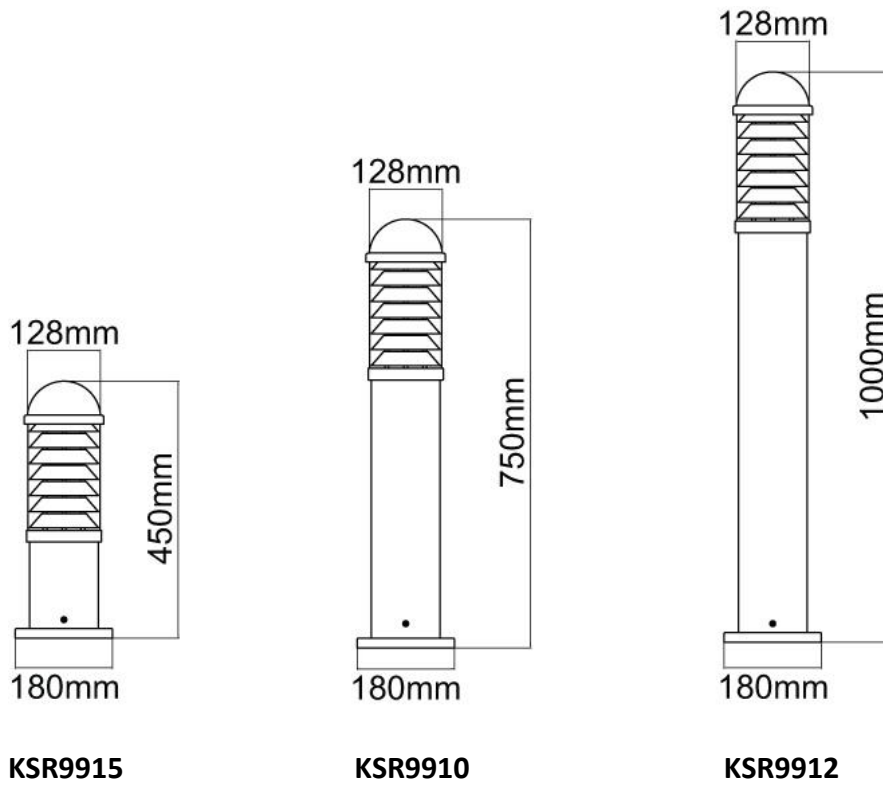
Standards

BSEN60598-1:2015 Luminaires – Part 1: General requirements and tests

In Conformity with

LVD Low voltage directive 2014/35/EU
EMC Electromagnetic compatibility directive 2014/30/EU
ERP Energy related products directive 2009/125/EC
RoHS Restriction of hazardous substances 2011/65/EU

Product Dimensions



KSR Lighting is constantly developing and improving its products. For this reason, all product descriptions in this data sheet are intended as a general guide, and KSR may change specifications from time to time in the interest of product development, without prior notification or public announcement. All descriptions in this data sheet present only general particulars of the goods to which they refer and shall not form part of any contract. Data in this guide has been obtained in controlled experimental conditions. However, KSR Lighting cannot accept any liability arising from the reliance on such data to the extent permitted.