

Read these instructions before commencing installation & retain them for future reference.

IP20 ☐ C € 240V

These Sensors are Class II and do not require an Earth connection

Important Information

It is recommended that luminaires are installed and fitted by a qualified electrician ensuring the installation complies with current IEE wiring regulations & local building control. These products are designed for connection to a 240V 50Hz supply. Any broken or damaged parts should be replaced as soon as possible. KSR will not accept responsibility for any claims arising from a poor installation.

Installation Guidelines

Remove the front cover by twisting anti-clockwise and keep safe.
Secure the Microwave sensor to a suitable surface using fixings provided.
Terminate your mains input cable into the L & N terminals, then connect the luminaire wires into the L & N terminals on the sensor.

On initial installation it is advised you leave the time setting to 10 Seconds and the Lux setting on the 'sun' symbol, with the sensitivity set to max (+) This will allow you to test and set up the sensor as required.

Time - This sensor can switch the lighting from a minimum of 10 Seconds to a maximum of 12 minutes, carefully turn the time dial to the required time.

Lux - This sensor will activate between daylight and 3 Lux, in order to achieve the required 'on' time it is recommended that the sensor is set to 30 Lux and wait 24 hours, after this period you can adjust the Lux control to up or down accordingly.

Sensitivity - The sensor will activate between 1m and 6m range, if the sensor triggers movement outside the required area, reduce the sensitivity to compensate.

Position - Ensure you position the sensor in a location suited to the the required activation point, this may not be central to any space. Avoid placing the sensor near heating vents or highly reflective surfaces as this may cause unwanted triggering.

PIR Specification:

Mains Input - 220-240V AC
Lux Control - 3-2000 Lux Adjustable
Time Setting - Min 3 Seconds +/- 3 Second
Max 12 Minutes +/- 1 Minutes
Rated Load - LED, 1000W

Halogen, 2000W

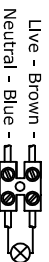
Detection Area - 360°

Detection Distance - 1 Min to 8m Max

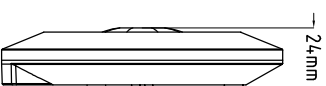
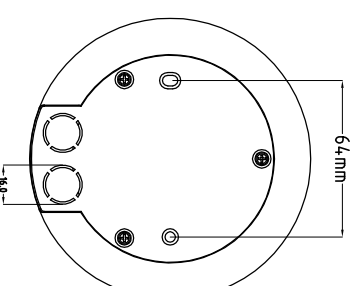
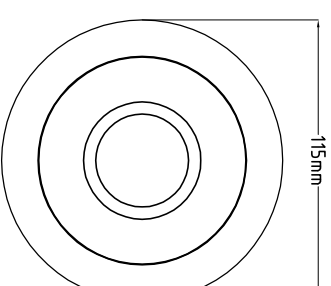
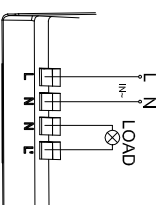
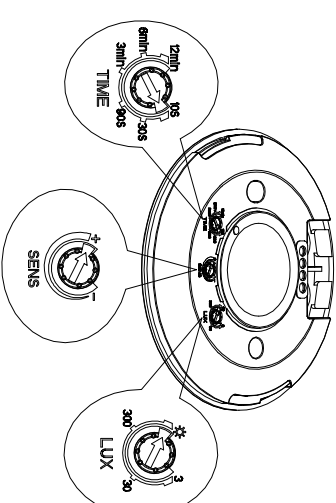
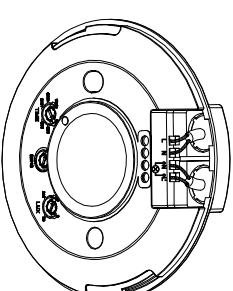
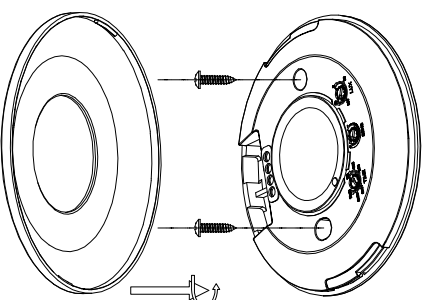
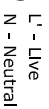
Parasitic Power - 0.2W

Installation Height - 2.0 - 6.0m

Mains Supply



Out to Luminaire



KSR
LIGHTING