

# Microwave Sensors

Accessories



## Product Information

Our Microwave sensors allow you to integrate controls into any project and with surface and recessed mount versions available, these are suitable for most Internal Applications.

## Product Features

- 5 year warranty
- IP20
- Class II
- Polycarbonate Construction
- Recessed and surface versions available



KSR8401

# Product Specification

Product Code	Product Description	Light source Max load	Detection Range	Recommended Mounting Heights	Time Delay	Lux Settings	Protection Class
KSR8401	Internal Surface Microwave Sensor	LED – 1000w	1-8m	2-6m	10sec-12min	<3-2000lux	II
		Halogen – 2000w					
		Fluorescent – 1000w					
KSR8402	Internal Surface Recessed Microwave Sensor	LED – 300w	1-8m	1.5-3.5m	10sec-12min	<3-2000lux	II
		Halogen – 1200w					
		Fluorescent – 300w					

<b>Nominal voltage</b>	220-240VAC
<b>Operating frequency</b>	50/60Hz
<b>Parasitic Power</b>	<0.5w
<b>Ambient temperature range</b>	0°C~+40°C
<b>IP rating</b>	20

## Construction

Body: Polycarbonate

## Standards

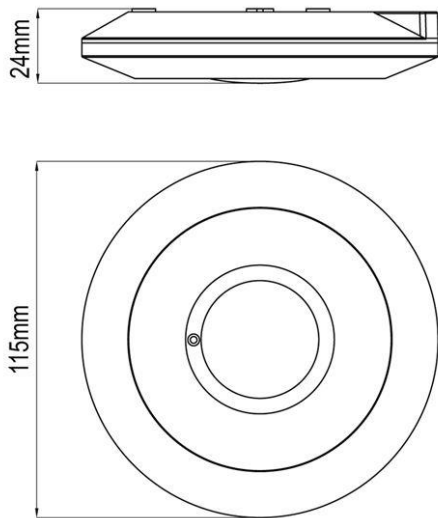
BSEN60598-1:2015 Luminaires – Part 1: General requirements and tests

## In Conformity with

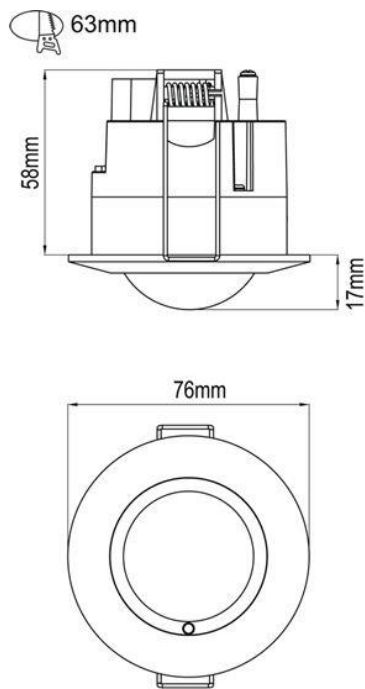
LVD Low voltage directive 2014/35/EU  
EMC Electromagnetic compatibility directive 2014/30/EU  
ERP Energy related products directive 2009/125/EC  
RoHS Restriction of hazardous substances 2011/65/EU

# Product Dimensions

## KSR8401



## KSR8402



KSR Lighting is constantly developing and improving its products. For this reason, all product descriptions in this data sheet are intended as a general guide, and KSR may change specifications from time to time in the interest of product development, without prior notification or public announcement. All descriptions in this data sheet present only general particulars of the goods to which they refer and shall not form part of any contract. Data in this guide has been obtained in controlled experimental conditions. However, KSR Lighting cannot accept any liability arising from the reliance on such data to the extent permitted.