

# External PIR Sensors

*Controls*



## Product Information

Our External PIR sensors allow you to integrate controls into any project and with surface and recessed mount versions available, these are suitable for most Internal Applications.



KSR8403 BLK

## Product Features

- 3 year warranty
- IP44
- Class II
- 180° Detection Angle
- Polycarbonate Construction
- Tilt Angle 35°
- Detection Range at 2.4m mounting height is 12m
- Manual Override Function
- Complete with Optional Corner Mounting Bracket

# Product Specification

Product Code	Product Description	Light source Max load	Detection Range	Recommended Mounting Heights	Time Delay	Lux Settings	Protection Class
KSR8403	External PIR Sensor with Corner Bracket	LED – 400w	12m @ 2.4m	1.8m-2.4m	10sec- 15min	3-2000lux	II
		Halogen – 800w					
		Fluorescent – 400w					

Nominal voltage	220-240VAC
Operating frequency	50/60Hz
Parasitic Power	<0.5w
Ambient temperature range	0°c~+40°c
IP rating	44

## Construction

Body: Polycarbonate

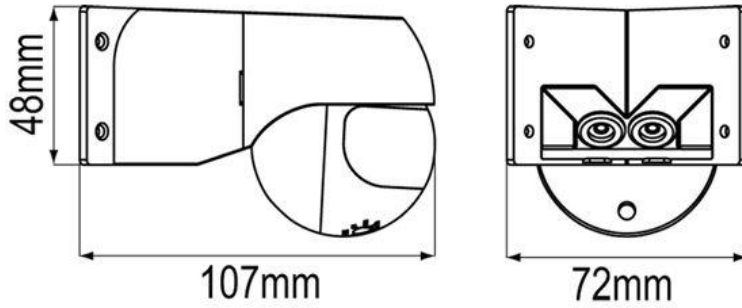
## Standards

BSEN60598-1:2015 Luminaires – Part 1: General requirements and tests

## In Conformity with

LVD Low voltage directive 2014/35/EU  
EMC Electromagnetic compatibility directive 2014/30/EU  
ERP Energy related products directive 2009/125/EC  
RoHS Restriction of hazardous substances 2011/65/EU

# Product Dimensions



KSR Lighting is constantly developing and improving its products. For this reason, all product descriptions in this data sheet are intended as a general guide, and KSR may change specifications from time to time in the interest of product development, without prior notification or public announcement. All descriptions in this data sheet present only general particulars of the goods to which they refer and shall not form part of any contract. Data in this guide has been obtained in controlled experimental conditions. However, KSR Lighting cannot accept any liability arising from the reliance on such data to the extent permitted.