

Available finish:- White

**Read these instructions before commencing installation & retain them for future reference.**

## IP54 240V

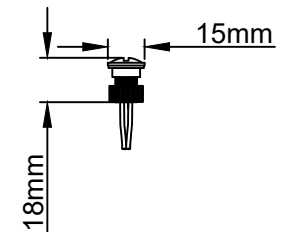
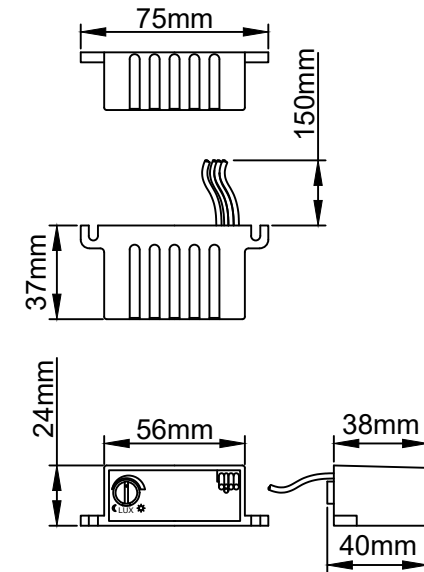
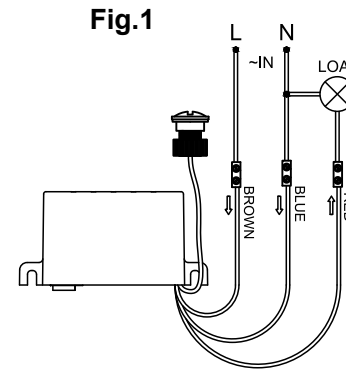
**These Sensors are Class II and do not require an Earth connection**

### Important Information

It is recommended that luminaires are installed and fitted by a qualified electrician ensuring the installation complies with current IEE wiring regulations & local building control. These products are designed for connection to a 220~240V 50/60Hz supply. Any broken or damaged parts should be replaced as soon as possible. KSR will not accept responsibility for any claims arising from a poor installation.

### Installation Guidelines

- Always disconnect mains supply.
- Ensure the photocell is suitable for the application.
- Remove the photocell dome by turning it in an anti-clockwise direction. Place in a safe location.
- Drill a 12mm in the location that you wish to install the photocell.
- Pass the photocell through the hole and re-attach the photocell dome.
- Ensure the photocell is located in the middle of the hole, tighten up the retaining ring.
- Fix the control box (65mm centers)
- Wire as per Figure 1.
- Adjust the lux level required required via the adjuster (anti clockwise = lowest, clockwise = highest).
- Turn on the power and test the Photocell, if in daylight simply fully cover the cell and wait for the luminaire to come on.
- Location- Ensure the Photocell is not located in a position where the artificial lighting it controls will illuminate it, this may cause the Photocell to switch off.



### Photocell Specification:

Mains Input - 220~240V AC 50/60Hz  
Lux Setting - 5-50 Lux (Adjustable)  
Rated Load - 10 Amp Maximum  
Material Thickness: 0-7.5mm  
Parasitic Power - 0.5W

