



Read these instructions before commencing installation & retain them for future reference.

**IP66** **CE**  $\varnothing_{0.3m}$  **240V 12W IK08**

**Important Information**

It is recommended that luminaires are installed and fitted by a qualified electrician ensuring the installation complies to current IEE wiring regulations & local building control. These products are designed for connection to a 240V 50Hz supply. Any broken or damaged parts should be replaced as soon as possible. KSR will not accept responsibility for any claims arising from a poor installation.

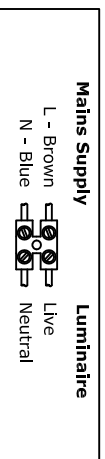
**Important User Advice**

Always switch off mains supply before fitting or servicing.

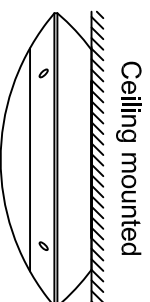
**Installation Procedure (Fig. 1)**

- Isolate mains supply before installation.
- Unscrew and retain the four screws and remove the rim and diffuser.
- Pass intended supply wires through grommet.
- Ensure the fixing surface is flat and even.
- Fix base to the wall or ceiling using adequate fixings with regard to type of surface.
- Ensure incoming cables are protected.
- Terminate wiring as per Fig.2.
- Make sure the seal is in place in the diffuser and undamaged.
- Replace Diffuser and rim re-secure using the four retained screws.
- Turn on the mains supply and test luminaire.

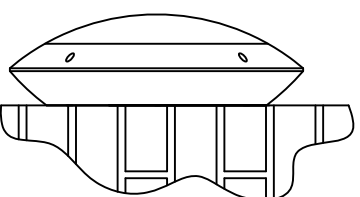
**Fig.2**



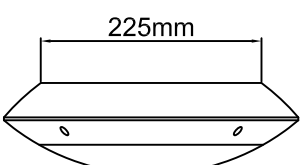
**Fig.1**



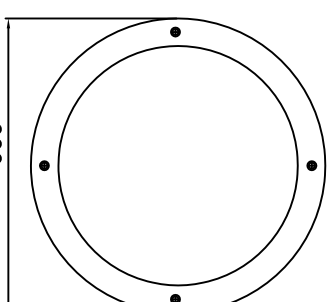
Ceiling mounted



Wall mounted

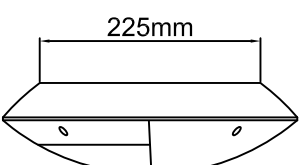


225mm

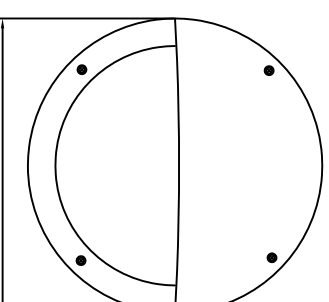


300mm

**KSRSF230**



225mm



300mm

**KSRSF231**

Lamp Details	
Lamp:	LED
Wattage:	12W
Colour:	4000K
KSRSF230 Lumen Output:	675 lumens
KSRSF231 Lumen Output:	500 lumens
CRI:	Ra>82

KSR Lighting After-sales: 023 92 674343  
 E-mail: [info@ksr-lighting.co.uk](mailto:info@ksr-lighting.co.uk)

