

# Latina II Bulkhead

*Exterior Bulkheads*



Data Sheet

## Product Information

The Latina II Bulkheads are available with microwave sensor making them ideal for external applications where presence detection is required for security and safety reasons.

This range is available in two versions a plain open diffuser and an Eyelid version which prevents up-lighting.

## Product Features

- 2 year warranty
- IP66/IK08
- 12w 4000K LED
- Available to order with microwave sensor
- CRI: Ra82
- Rear Cable Entry Only
- Available in Black and White

# Product Specification

Product Code	Product Description	Wattage (W)	CCT (K)	Lumens (lm)	CRI (Ra)	Energy Efficiency Class	Protection Class
KSRSF230	Latina II 12w 4000K LED Plain Polycarbonate Bulkhead	12w	4000	675	82	A+	II
KSRSF231	Latina II 12w 4000K LED Eyelid Polycarbonate Bulkhead	12w	4000	500	82	A+	II

Nominal voltage	220~240VAC
Operating frequency	50/60Hz
Circuit Wattage	12w including driver losses
Circuit Current	0.3A
Driver mA Rating	210mA
PFC	0.8
In Rush Current	0.5A Max Peak
Ambient temperature range	-10°C to +30°C
IP rating	66

## Construction

Body: Polycarbonate  
Diffuser: Opal Polycarbonate

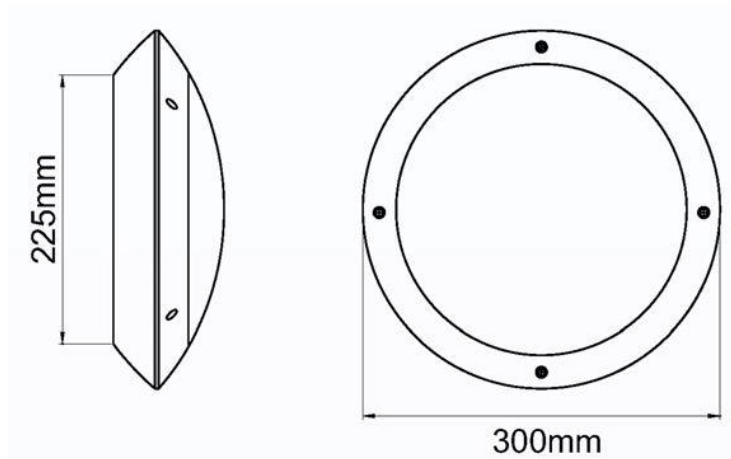
## Standards

BSEN60598-1:2015      Luminaires – Part 1: General requirements and tests

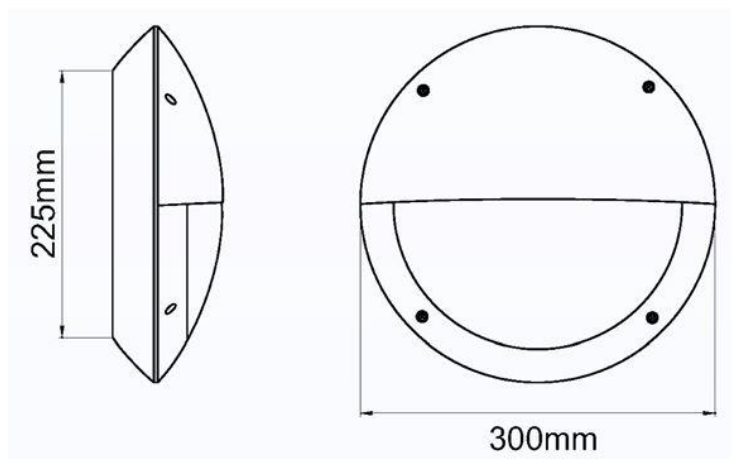
## In Conformity with

LVD      Low voltage directive 2014/35/EU  
EMC      Electromagnetic compatibility directive 2014/30/EU  
ERP      Energy related products directive 2009/125/EC  
RoHS      Restriction of hazardous substances 2011/65/EU

## Product Dimensions



**KRSF230**



**KRSF231**

KSR Lighting is constantly developing and improving its products. For this reason, all product descriptions in this data sheet are intended as a general guide, and KSR may change specifications from time to time in the interest of product development, without prior notification or public announcement. All descriptions in this data sheet present only general particulars of the goods to which they refer and shall not form part of any contract. Data in this guide has been obtained in controlled experimental conditions. However, KSR Lighting cannot accept any liability arising from the reliance on such data to the extent permitted.