



Available Finish: White or Black

Read these instructions before commencing installation & retain them for future reference.

IP20 50W Max

**Important Information**

It is recommended that luminaires are installed by a qualified electrician ensuring the installation complies to current IEE wiring regulations & local building control.

These products are designed for connection to the supplied driver only. Any broken or damaged parts should be replaced as soon as possible. KSR will not accept responsibility for any claims arising from a poor installation.

**Important User Advice**

Always switch off mains supply before servicing, fitting or lamp replacement.

This luminaire is suitable for indoor use only and should not be fitted to damp or wet surfaces such as freshly plastered or painted ceilings.

For use with KSR LED compatible lamps and drivers only.

Ensure the lamp is correctly located in the lampholder.

**Installation Procedure**

KSR recommends that a sample hole is cut in some scrap material to familiarise yourself with the installation.

Locate the area's suitable to install these luminaires.

Cut a hole in the ceiling using the table below and ensure you have sufficient ceiling void without infringing on joists, water pipes or electrical cables.

Connect the terminal block to the mains supply (Neutral - Blue, Live - Brown) and insert the lamp into the holder. Fasten the terminal block mounting plate onto the side of the fitting with screw provided shown in Fig.1.

Place the lampholder into the void then press springs back and locate luminaire body into aperture.

Fit this product as per illustration shown in Fig.2

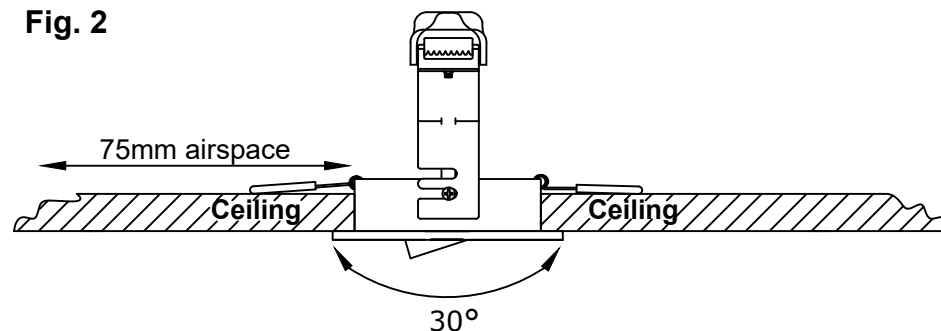
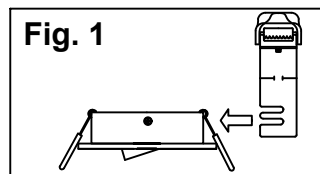
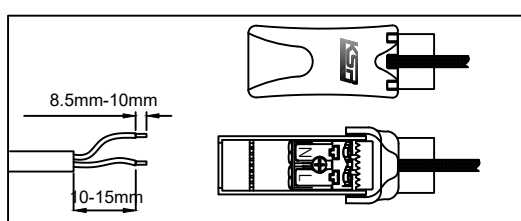
Ensure there is adequate free air ventilation around the fitting and LED Driver 75mm all round and 25mm above.

Turn on the mains supply to test the luminaire and adjust the lamp position to suit the installation.

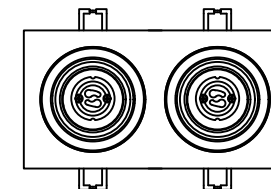
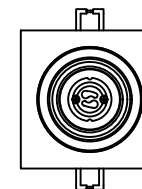
**Installer Note:**

To ensure a good connection strip back 8.5-10mm of insulation and push the cable firmly into the terminal block.

Cable size 0.75~1.5mm

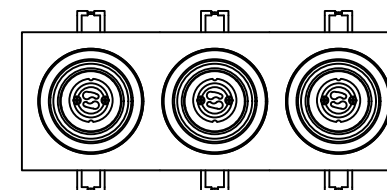


KSRDL440-1



KSRDL443-4

KSRDL446-7



|            | Rim Size     | Cut out      | Void Depth Required | Lamp Cap | Dimmable               |
|------------|--------------|--------------|---------------------|----------|------------------------|
| KSRDL440-1 | 95mm x 95mm  | 80mm         | 109mm               | GU10     | Dependant on Lamp Type |
| KSRDL443-4 | 175mm x 92mm | 80mm x 160mm | 109mm               | GU10     |                        |
| KSRDL446-7 | 257mm x 92mm | 80mm x 242mm | 109mm               | GU10     |                        |



KSR Lighting Aftersales: 023 92 674343  
E-mail: aftersales@ksrlighting.com



Available Finish: White or Black

Read these instructions before commencing installation & retain them for future reference.

IP20 0.3m 5W or 10W (per lamp)

**Important Information**

It is recommended that luminaires are installed by a qualified electrician ensuring the installation complies to current IEE wiring regulations & local building control.

These products are designed for connection to the supplied driver only. Any broken or damaged parts should be replaced as soon as possible. KSR will not accept responsibility for any claims arising from a poor installation.

**Important User Advice**

Always switch off mains supply before servicing, fitting or lamp replacement. This luminaire is suitable for indoor use only and should not be fitted to damp or wet surfaces such as freshly plastered or painted ceilings. Ensure the LED Module is correctly located in the lampholder.

**Installation Procedure**

KSR recommends that a sample hole is cut in some scrap material to familiarise yourself with the installation.

Locate the area's suitable to install these luminaires.

Cut a hole in the ceiling using the table to the right and ensure you have sufficient ceiling void without infringing on joists, water pipes or electrical cables.

If using a optional beam angle lens fit this by removing the white retaining ring on the module by turning anti clockwise, replace the lens and refit.

As per Fig 1 plug the driver into the LED module using the plug and play connector and insert the LED module(s) into the retaining ring(s). Install the driver into the void ensuring adequate free space 75mm all around and 25mm above the fitting. The plate should NOT be covered in mineral wool insulation.

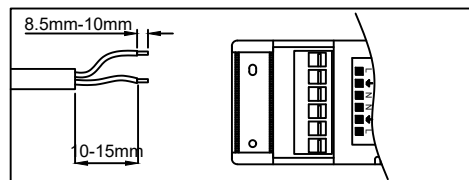
Press the retaining springs back and locate luminaire body into aperture.

Tilt to the required angle.

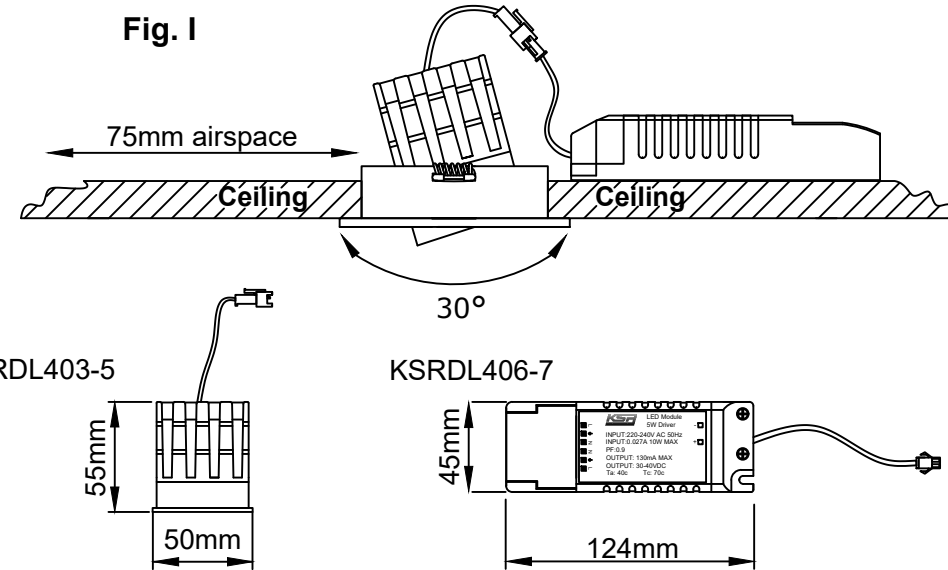
Turn on the mains supply to test the luminaire.

**Installer Note:**

To ensure a good connection strip back 8.5-10mm of insulation and push the cable firmly into the terminal block.



Cable size 0.75~1.5mm



|  | Rim Size     | Cut out      | Void Depth Required | Beam Angle | Dimmable | CCT   | Lumen output per head |            |
|--|--------------|--------------|---------------------|------------|----------|-------|-----------------------|------------|
|  |              |              |                     |            |          |       | KSRDL406              | KSRDL407   |
| KSRDL440/1 + KSRDL403/4/5 + KSRDL406/7 | 95mm x 95mm  | 80mm         | 109mm               | 37°        | Yes      | 2700K | 569lm                 | 803lm      |
|  |              |              |                     |            |          |       | 3000K                 | 862lm      |
|  |              |              |                     |            |          |       | 4000K                 | 957lm      |
|  | Rim Size     | Cut out      | Void Depth Required | Beam Angle | Dimmable | CCT   | Lumen output per head |            |
|  |              |              |                     |            |          |       | 5w driver             | 10w driver |
| KSRDL443/4 + KSRDL403/4/5 + KSRDL406/7 | 175mm x 92mm | 80mm x 160mm | 109mm               | 37°        | Yes      | 2700K | 569lm                 | 803lm      |
|  |              |              |                     |            |          |       | 3000K                 | 862lm      |
|  |              |              |                     |            |          |       | 4000K                 | 957lm      |
|  | Rim Size     | Cut out      | Void Depth Required | Beam Angle | Dimmable | CCT   | Lumen output per head |            |
|  |              |              |                     |            |          |       | 5w driver             | 10w driver |
| KSRDL446/7 + KSRDL403/4/5 + KSRDL406/7 | 257mm x 92mm | 80mm x 242mm | 109mm               | 37°        | Yes      | 2700K | 569lm                 | 803lm      |
|  |              |              |                     |            |          |       | 3000K                 | 862lm      |
|  |              |              |                     |            |          |       | 4000K                 | 957lm      |



KSR Lighting Aftersales: 023 92 674343  
E-mail: aftersales@ksrlighting.com