



Available Colour: White

**Read these instructions before commencing installation & retain them for future reference.**

**IP44** **240V 40W**

**Important Information**

It is recommended that luminaires are installed and fitted by a qualified electrician ensuring the installation complies to current IEE wiring regulations & local building control. Any damaged parts should be replaced as soon as possible. KSR will not accept responsibility for any claims arising from a sub-standard installation.

**Important User Advice**

Always switch off mains supply before servicing.  
The working ambient temperature should be -20°C ~ +30°C if outside these ranges the life span will be effected (reduced).  
This product is designed to be used indoors only and is IP44 rated from the front only.

**Installation Procedure**

KSR recommends that a sample hole is cut in some scrap material to familiarize yourself with the installation. Once you are completely satisfied:  
Locate the area's suitable to install these luminaires.  
Cut a 200~220mm round hole in the ceiling and ensure sufficient ceiling void without infringing on joists, water pipes or electrical cables.  
Remove and retain the two screws securing the terminal cover on the primary side of the driver (PRI) lift the cover of the Tridonic driver, Strip the supply cable as per Fig.1. Connect the driver to the mains supply Brown (Live) and Blue (Neutral) as per Fig.2.

Close the cover and re-secure using the 2 retained screws.  
Plug the driver into the LED head using the plug and play connector.  
Insert the driver into the void ensuring adequate free space 75mm all around and 25mm above the fitting. Never cover the driver or fitting in insulation!  
Raise the spring retaining clips up to the side of the luminaire and insert into aperture. The spring clips will locate on the back of the ceiling holding the luminaire in place.

The product should be installed as per the illustration Fig.3  
Turn on the mains supply to test the luminaire.

\*Please note: Depending on the amount of fittings on a circuit you may have to upgrade the breaker to a 'C' or 'D' type due to the way electronic equipment starts up with higher inrush currents.

Fig. 3

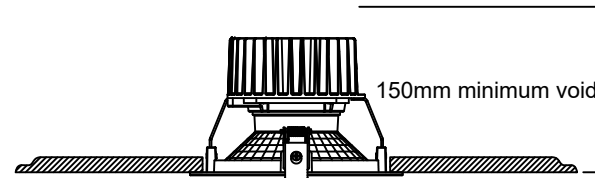
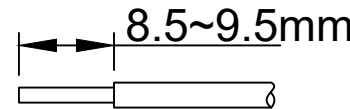


Fig. 1



Cable size 0.75~1.5mm

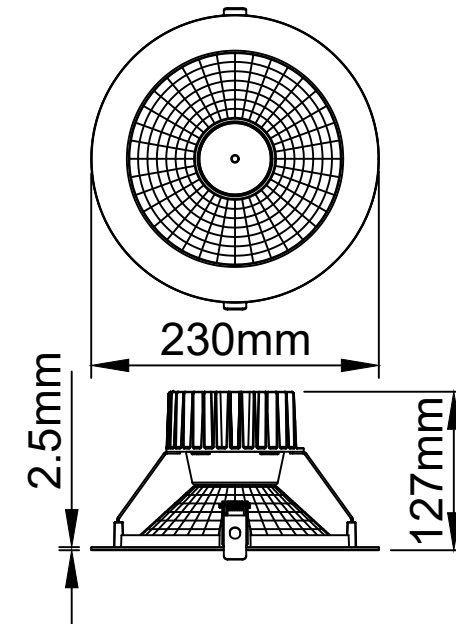
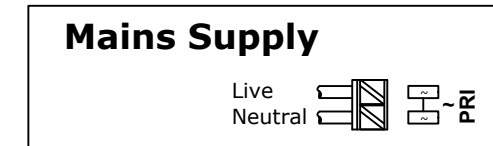


Fig. 2



**Lamp Details**

Light Source: Non-replaceable LED  
Wattage: 40W  
Lumens: 3955  
Colour: 4000K  
CRI: Ra91

KSR Lighting Aftersales: 023 92 674343  
E-mail: aftersales@ksrlighting.com

