

Sorocco LED IP44 Downlight

Commercial Lighting



Data Sheet

Product Information

The Sorocco LED IP44 downlight fittings are perfect for commercial applications where low glare and a higher IP rating is required. This fitting comes with two output options 33w and 40w.

Comes with a 5 year warranty for peace of mind.

Product Features

- 5 year warranty
- IP44 from the front
- Instant on
- High CRI up to ra92
- Tridonic branded driver
- Complete with low flicker driver
- Dimmable options Available
- Emergency option
- High efficiency up to 103lumens per Circuit watt



Product Specification

Product Code	Product Description	Wattage (W)	CCT (K)	Beam Angle	Lumens (lm)	CRI (Ra)	Energy Efficiency Class	Protection Class
KSRDL380	Sorocco 33w 4000K LED IP44 Round Commercial Downlight	33	4000	62°	3146	92	A+	II
KSRDL381	Sorocco 40w 4000K LED IP44 Round Commercial Downlight	40	4000	62°	3955	91	A+	II

*Available to order with SwitchDim, CorridorFUNCTION, DALI and DSI Control gear

*For emergency options please add EM to the end of the part code

Technical Data	33w LED Downlight	40w LED Downlight
Nominal voltage	220~240VAC	220~240VAC
Operating frequency	50-60Hz	50-60Hz
Circuit Wattage	30.6w including Driver	40.2w including Driver
Circuit Current	0.134A	0.181A
Driver Current Rating	800mA	1050mA
PFC	0.95	0.96
In Rush Current	0.81A Max Peak	1.09A Max Peak
Start Time	< 0.5 Sec	< 0.5 Sec
Ambient temperature range	-20°C to +30°C	-20°C to +30°C
IP rating	44	44

Construction

Body: Cast Aluminium
Rim: Aluminium

Standards

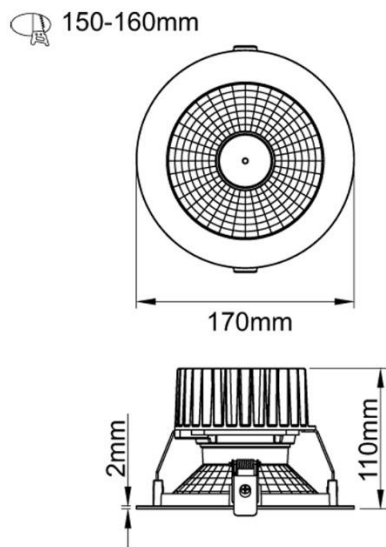
BSEN60598-1:2015 Luminaires – Part 1: General Requirements and tests
BSEN60598-2-22:2014 Luminaires – Part 2: Luminaires emergency lighting

In Conformity with

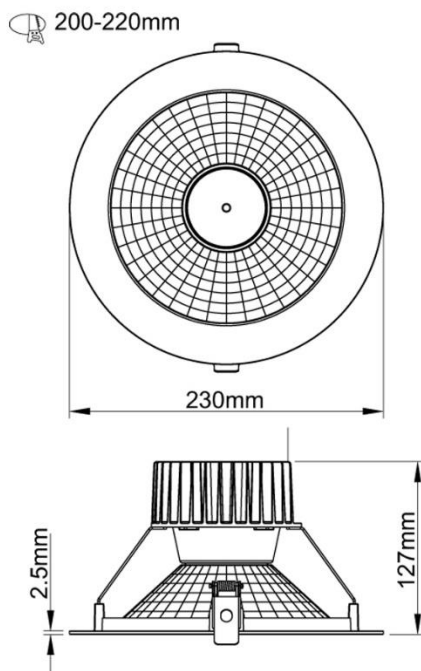
LVD Low voltage directive 2014/35/EU
EMC Electromagnetic compatibility directive 2014/30/EU
ERP Energy related products directive 2009/125/EC
RoHS Restriction of hazardous substances 2011/65/EU

Product Dimensions

KSRDL380



KSRDL381



KSR Lighting is constantly developing and improving its products. For this reason, all product descriptions in this data sheet are intended as a general guide, and KSR may change specifications from time to time in the interest of product development, without prior notification or public announcement. All descriptions in this data sheet present only general particulars of the goods to which they refer and shall not form part of any contract. Data in this guide has been obtained in controlled experimental conditions. However, KSR Lighting cannot accept any liability arising from the reliance on such data to the extent permitted.