



Available finish:- Black

Read these instructions before commencing installation & retain them for future reference.

IP44 **240V~50Hz 46W**

Important Information

It is recommended that luminaires are installed by a qualified electrician. The installation of this product must comply with the current edition of the IEE wiring regulations BS7671.

These products are designed for connection to a 240V 50Hz supply. Any damaged parts should be replaced as soon as possible. KSR will not accept responsibility for any claims arising from a poor installation.

Important User Advice

Always switch off mains supply before installation or servicing. KSR recommends a maintenance schedule of washing down with soapy water (no abrasive cleaners) and greasing all screws every 3 months.

Installation Details

Remove and retain the 2 screws holding top cover to the back plate (located top and bottom of the fitting). Pass the supply cable through the grommet on the bottom right hand side of the back plate ensuring a good seal is maintained. Fix the plastic back plate to wall using suitable fixings for the substrate. Remove the single screw and retain from the cable housing. Insert the supply cable through the cable housing. Connect the supply to the terminal block: Brown (Live) and Blue (Neutral) as per Fig.1. Ensuring enough cable to allow the removal of the diffuser to fit the lamp. Refit the cable housing using the retained screw. Remove the 8 diffuser retaining screws around the edge of the diffuser and retain. Install a suitable lamp into the lamp holder. Then refit the diffuser and secure using the original retained screws. Attach the top cover to the plastic plate using the 2 screws you retained earlier. Switch on supply, test and adjust PIR.

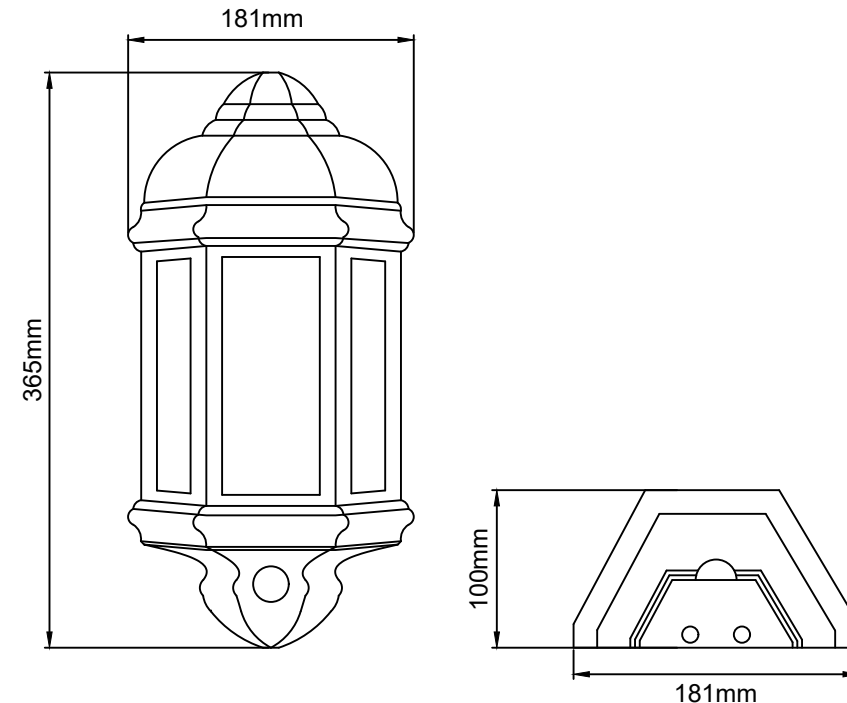


Fig. 1

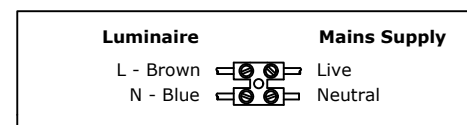
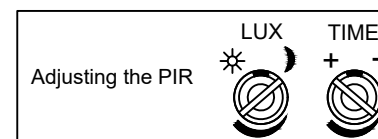


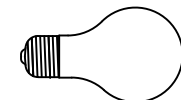
Fig. 2



KSR1159

Lamp/PIR Details

Lamp Cap: E27 GLS
Wattage: 46W (max)



PIR Specification
Detection Angle: 130°
Time Adjustment: Min. 5 seconds ~ 5 Minutes Max.
Lux Adjustment: Min: 5 lux ~ 2000 lux Max.
Detection Range: 0-12m

KSR Lighting recommend only branded lamps
For example: Sylvania, GE, Philips or Osram

KSR Lighting Aftersales: 023 92 674343
E-mail: aftersales@ksrlighting.com

