

Cabello Range

Exterior Recessed Lighting



Data Sheet

Product Information

Cabello recessed wall/Ground lights are ideal for lighting wall perimeters for pathways and stairways.

Comes with a 2 year warranty for your peace of mind.

Product Features

- 2 year warranty
- Class III
- IP65/IP67 for LED drivers
- Available in 3000K, 6000k or Blue LED
- AISI 316L Stainless Steel Rim Construction
- Requires 24v constant voltage driver
- Must be wired in Parallel



KSRDL283/284

Product Specification

Product Code	Product Description	Wattage (W)	CCT (K)	Lumens (lm)	Energy Efficiency Class	Protection Class
KSR1289	Cabello Square Recessed Light	0.5 per head	3000 6000	N/A	A	III
KSR1293	Cabello Round Recessed Light	0.5 per head	3000 6000	N/A	A	III
KSRDL283	12w 12v Constant Voltage Driver	12w max	4000	N/A	A	III
KSRDL284	20w 12v Constant Voltage Driver	20w max	3000	N/A	A	III
Accessories						
KSR3184	IP68 Watertight Clamp Single Connection Device 3 Pole					
KSR3185	IP68 Loop In/Out Watertight Connection Device					

Nominal voltage	12V
Operating frequency	N/A
Circuit Wattage	0.5w
Circuit Current	0.14A
Driver Current rating	12v DC
PFC	1.00
In Rush Current	N/A Dependant on driver specification
Ambient temperature range	-10°C~+30°C
Start time	< 0.5 sec
IP rating	65

Construction

Body:	Aluminium
Rim:	AISI 316L Stainless Steel

Standards

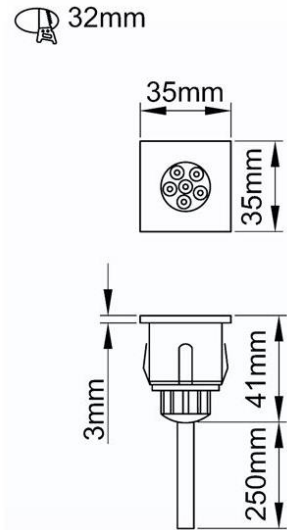
BSEN60598-1:2015 Luminaires – Part 1: General requirements and tests

In Conformity with

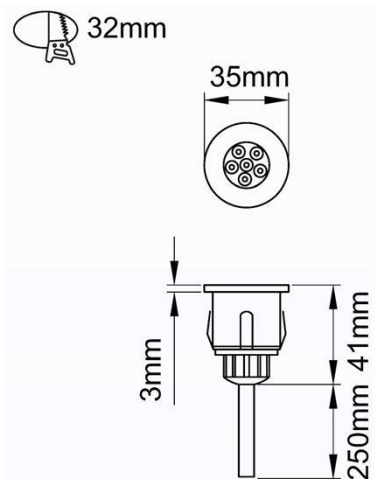
LVD	Low voltage directive 2014/35/EU
EMC	Electromagnetic compatibility directive 2014/30/EU
ERP	Energy related products directive 2009/125/EC
RoHS	Restriction of hazardous substances 2011/65/EU

Product Dimensions

KSR1289



KSR1293



KSR Lighting is constantly developing and improving its products. For this reason, all product descriptions in this data sheet are intended as a general guide, and KSR may change specifications from time to time in the interest of product development, without prior notification or public announcement. All descriptions in this data sheet present only general particulars of the goods to which they refer and shall not form part of any contract. Data in this guide has been obtained in controlled experimental conditions. However, KSR Lighting cannot accept any liability arising from the reliance on such data to the extent permitted.