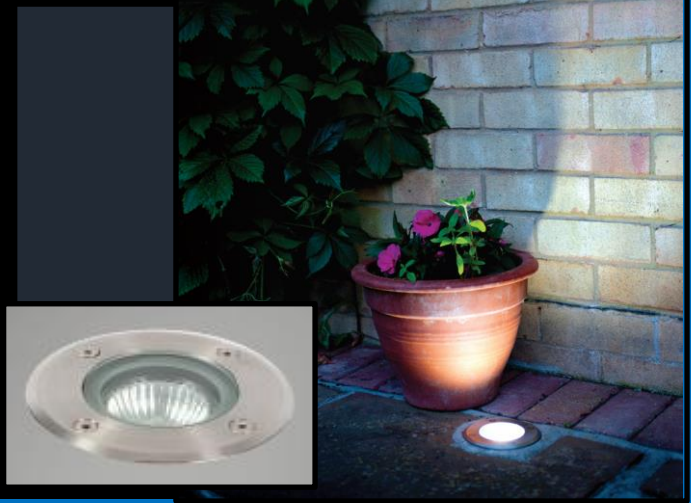


Cataluna GU10 Ground Light

Exterior Recessed Lighting



Data Sheet

Product Information

The Cataluna GU10 are suitable for installation around swimming pool areas and other similar Applications. These fittings are supplied as a single unit.

Product Features

- 1 year warranty
- IP67/IK10
- Class I
- Suitable use with 35w GU10 or LED GU10 lamps
- 304 Stainless Steel Rim
- Square and Round versions available



Product Specification

Product Code	Product Description	Wattage (W)	CCT (K)	Lumens (lm)	Energy Efficiency Class	Protection Class
KSR9928	Cataluna GU10 IP67 Round Recessed Ground Light	35w Max	Varies	Varies	D	I
KSR9929	Cataluna GU10 IP67 Square Recessed Ground Light	35w Max	Varies	Varies	D	I
Accessories						
KSRLP932	7w 3000K 560lm Dimmable LED GU10 Lamp					
KSRLP933	7w 4000K 600lm Dimmable LED GU10 Lamp					

Nominal voltage	220-240VAC
Operating frequency	50/60Hz
Circuit Wattage	GU10 35w max
Circuit Current	Dependant on Lamp Choice
Driver Current rating	N/A
PFC	Varies
In Rush Current	Varies
Ambient temperature range	0c~+30°c
IP rating	67

Construction

Body: Die-Cast Aluminium
Rim: 304 Stainless Steel

Standards

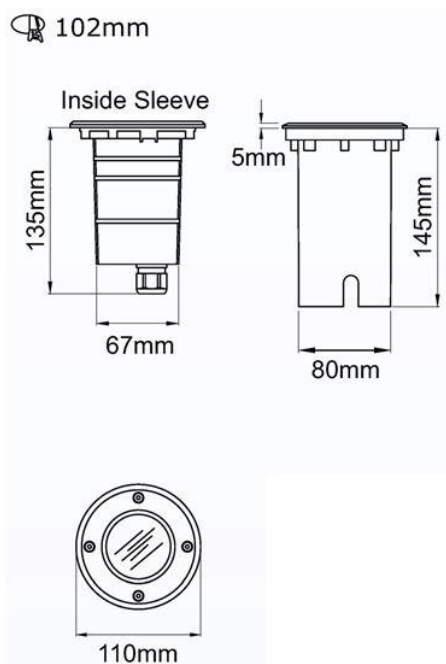
BSEN60598-1:2015 Luminaires – Part 1: General requirements and tests

In Conformity with

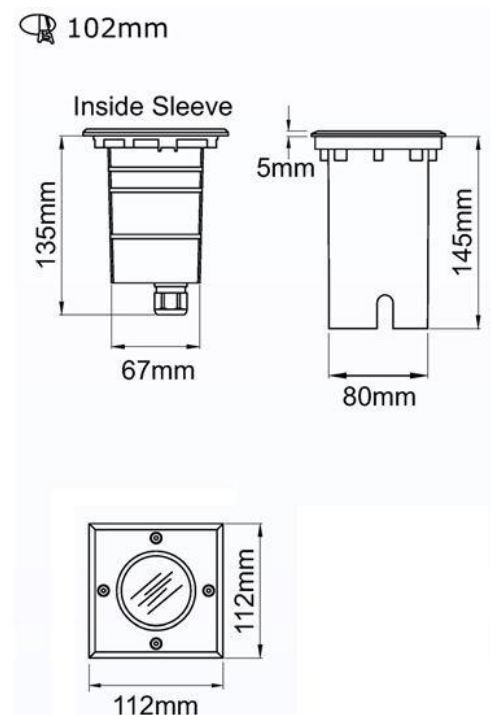
EMC Electromagnetic compatibility directive 2014/30/EU
RoHS Restriction of hazardous substances 2011/65/EU

Product Dimensions

KSR9928



KSR9929



KSR Lighting is constantly developing and improving its products. For this reason, all product descriptions in this data sheet are intended as a general guide, and KSR may change specifications from time to time in the interest of product development, without prior notification or public announcement. All descriptions in this data sheet present only general particulars of the goods to which they refer and shall not form part of any contract. Data in this guide has been obtained in controlled experimental conditions. However, KSR Lighting cannot accept any liability arising from the reliance on such data to the extent permitted.