

Coruna LED Range

Exterior Bulkheads



Product Information

The Coruna LED range are low powered and small exterior surface fitting which are well suited to residential applications.

This Range is available in 2 versions, an open face version and an Eyelid version.

Product Features

- 2 year warranty
- Class I
- IP44
- 2.9w 6000K LED
- Strong Cast Aluminium Body
- Non-Dimmable

Product Specification

Product Code	Product Description	Wattage (W)	CCT (K)	Lumens (lm)	CRI (Ra)	Energy Efficiency Class	Protection Class
KSR1238	Coruna 2.9w LED Surface Fitting	2.9w	6000	195	85	A+	I
KSR1240	Coruna 2.9w LED Eyelid Surface Fitting	2.9w	6000	64	85	A+	I

Nominal voltage	220~240VAC
Operating frequency	50/60Hz
Circuit Wattage	2.65w including driver losses
Circuit Current	0.012
Driver mA Rating	N/A
PFC	0.92
In Rush Current	N/A
Ambient temperature range	-10°C to +30°C
IP rating	44

Construction

Body: Cast Aluminium
Lens: Frosted Polycarbonate

Standards

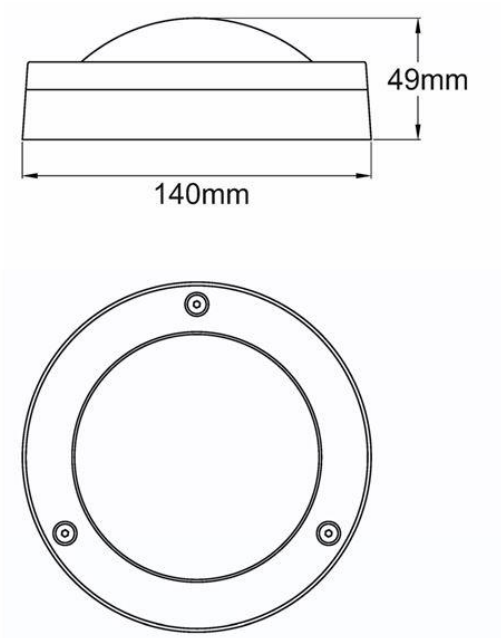
BSEN60598-1:2015 Luminaires – Part 1: General requirements and tests

In Conformity with

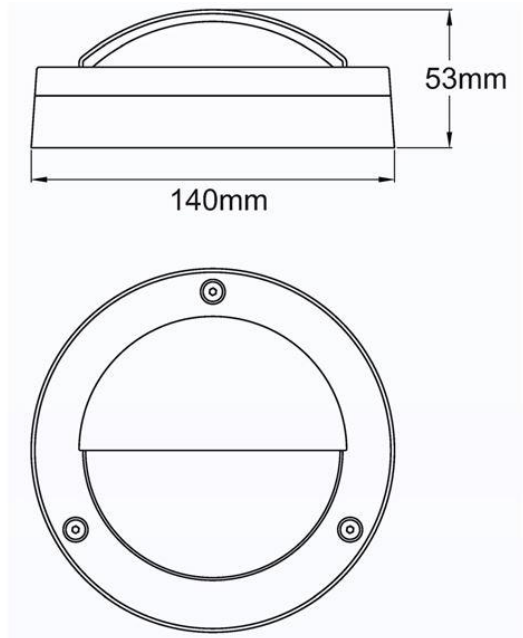
LVD Low voltage directive 2014/35/EU
EMC Electromagnetic compatibility directive 2014/30/EU
ERP Energy related products directive 2009/125/EC
RoHS Restriction of hazardous substances 2011/65/EU

Product Dimensions

KSR1238



KSR1240



KSR Lighting is constantly developing and improving its products. For this reason, all product descriptions in this data sheet are intended as a general guide, and KSR may change specifications from time to time in the interest of product development, without prior notification or public announcement. All descriptions in this data sheet present only general particulars of the goods to which they refer and shall not form part of any contract. Data in this guide has been obtained in controlled experimental conditions. However, KSR Lighting cannot accept any liability arising from the reliance on such data to the extent permitted.