

D-Light Range

Exterior Recessed Lighting



Data Sheet

Product Information

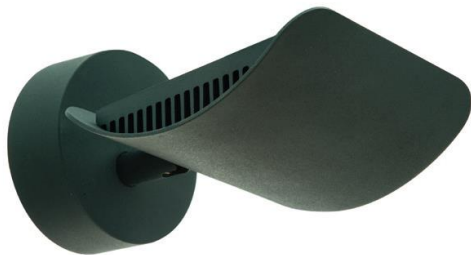
Our D-Light Range are ideal for lighting wall perimeters for Pathways, Display lighting and wall washing applications.

Available in two different versions a wall washer and a LED Display Light

Comes with a 2 year warranty for your peace of mind.

Product Features

- 2 year warranty
- IP55
- Class I
- 15w 3000K AC LED
- CRI: Ra80
- Integrated Non-Dimmable Driver
- Up to 30,000hr Life Expectancy



Product Specification

Product Code	Product Description	Wattage (W)	CCT (K)	Lumens (lm)	Energy Efficiency Class	Protection Class
KSR7190	D-Light 15w 3000K AC LED Wall Washer	15	3000	1100	A+	I
KSR7191	D-Light 15w 3000K AC LED Display Light	15	3000	1100	A+	I

Technical Data	15w D-Light Wall Washer	15w D-Light LED Display Light
Nominal voltage	220-240VAC	220-240VAC
Operating frequency	50Hz	50
Circuit Wattage	15w including losses	15w including losses
Circuit Current	0.06 A	0.06 A
Driver Current rating	N/A	N/A
PFC	0.85	0.85
In Rush Current	0.1A Max Peak	0.1A Max Peak
Ambient temperature range	-10°C~+30°C	-10°C~+30°C
Start time	< 0.5 sec	< 0.5 sec
IP rating	55	55

Construction

Body: Cast Aluminium
 Diffuser: Transparent Glass

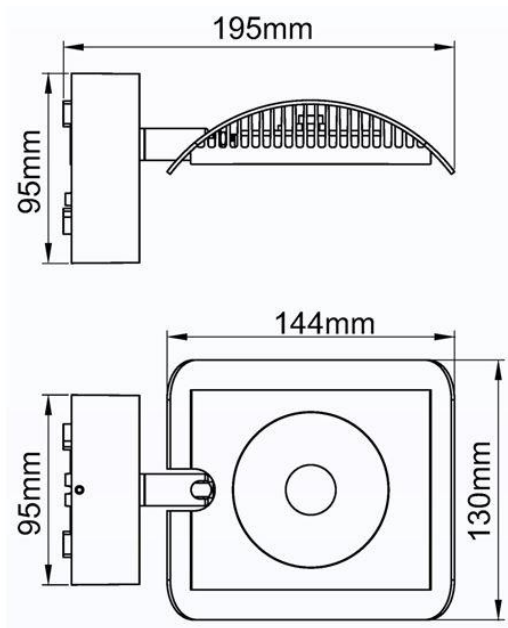
Standards

BSEN60598-1:2015 Luminaires – Part 1: General requirements and tests

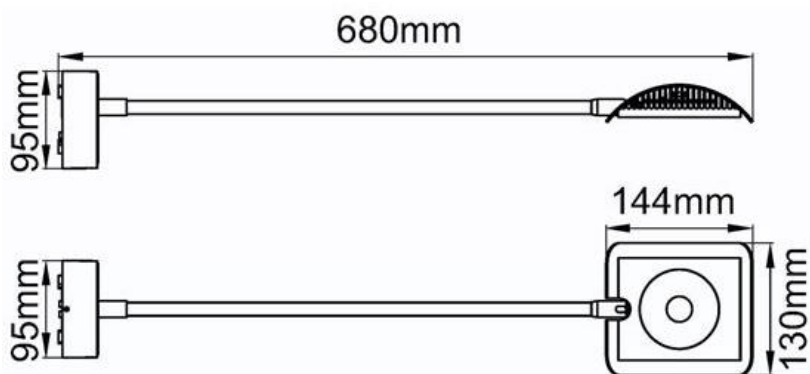
In Conformity with

LVD Low voltage directive 2014/35/EU
 EMC Electromagnetic compatibility directive 2014/30/EU
 ERP Energy related products directive 2009/125/EC
 RoHS Restriction of hazardous substances 2011/65/EU

Product Dimensions



KSR7190



KSR7191

KSR Lighting is constantly developing and improving its products. For this reason, all product descriptions in this data sheet are intended as a general guide, and KSR may change specifications from time to time in the interest of product development, without prior notification or public announcement. All descriptions in this data sheet present only general particulars of the goods to which they refer and shall not form part of any contract. Data in this guide has been obtained in controlled experimental conditions. However, KSR Lighting cannot accept any liability arising from the reliance on such data to the extent permitted.