



Orense LED

Exterior Recessed Lighting



Data Sheet

Product Information

Orense LED IP67 recessed lights are ideal for lighting wall perimeters for Pathways, stairways and Decking areas.

Comes with a 2 year warranty for your peace of mind.

Product Features

- 2 year warranty
- Class I
- IP67
- CRI Ra82
- 1.2w 6000K LED
- 240v supply no driver required

Product Specification

Product Code	Product Description	Wattage (W)	CCT (K)	Lumens (lm)	CRI (Ra)	Energy Efficiency Class	Protection Class
KSR1248	Orense LED IP67 Recessed Light	1.2	6000	35	82	A+	I

Nominal voltage	230-240VAC
Operating frequency	50/60Hz
Circuit Wattage	1.1w
Circuit Current	0.05 A
Driver Current rating	N/A
PFC	0.09
In Rush Current	N/A
Ambient temperature range	-10°C~+30°C
Start time	< 0.5 sec
IP rating	67

Construction

Body: Aluminium
Rim: AISI 304L Stainless Steel

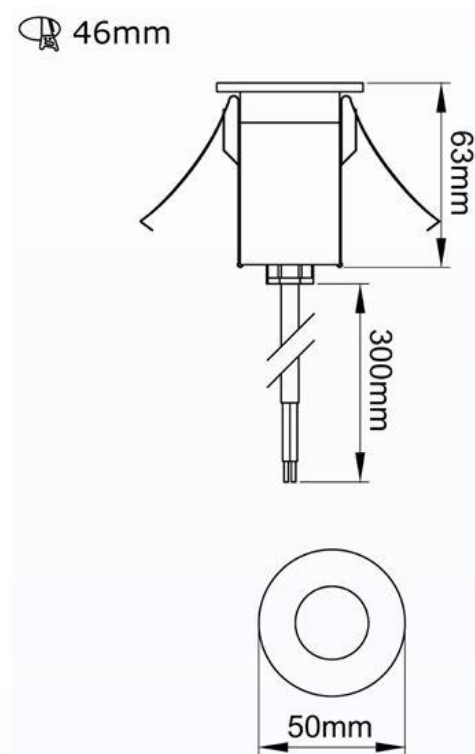
Standards

BSEN60598-1:2015 Luminaires – Part 1: General requirements and tests

In Conformity with

LVD Low voltage directive 2014/35/EU
EMC Electromagnetic compatibility directive 2014/30/EU
ERP Energy related products directive 2009/125/EC
RoHS Restriction of hazardous substances 2011/65/EU

Product Dimensions



KSR Lighting is constantly developing and improving its products. For this reason, all product descriptions in this data sheet are intended as a general guide, and KSR may change specifications from time to time in the interest of product development, without prior notification or public announcement. All descriptions in this data sheet present only general particulars of the goods to which they refer and shall not form part of any contract. Data in this guide has been obtained in controlled experimental conditions. However, KSR Lighting cannot accept any liability arising from the reliance on such data to the extent permitted.