



Oro LED Range

Exterior Recessed Lighting



Data Sheet

Product Information

Oro recessed wall lights are ideal for lighting wall perimeters for pathways and stairways.

Comes with a 2 year warranty for your peace of mind.

Product Features

- 2 year warranty
- Class I
- IP55
- CRI:82
- Non-dimmable Integral Driver
- Loop in loop out facility
- Up to 30,000hr Life Expectancy

Product Specification

Product Code	Product Description	Wattage (W)	CCT (K)	Lumens (lm)	Energy Efficiency Class	Protection Class
KSR7163	Oro 3.5w LED Recessed Wall Light	3.5	3000	180	A	II

Nominal voltage	220~240VAC
Operating frequency	50/60Hz
Circuit Wattage	4.6w including losses
Circuit Current	0.023A
Driver Current rating	375mA
PFC	0.82
In Rush Current	0.375A Max Peak
Ambient temperature range	-10°C~+30°C
Start time	< 0.5 sec
IP rating	55

Construction

Body: Cast Aluminium
Rim: Aluminium

Standards

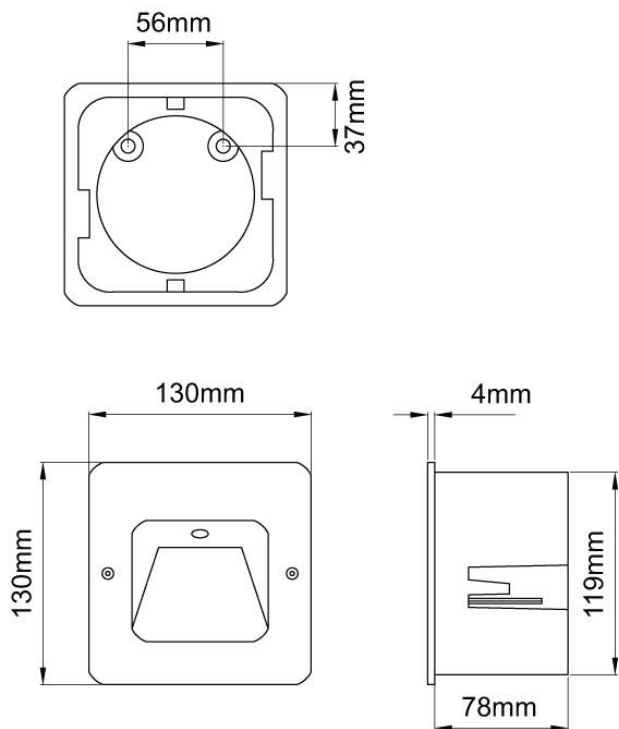
BSEN60598-1:2015 Luminaires – Part 1: General requirements and tests

In Conformity with

LVD Low voltage directive 2014/35/EU
EMC Electromagnetic compatibility directive 2014/30/EU
ERP Energy related products directive 2009/125/EC
RoHS Restriction of hazardous substances 2011/65/EU

Product Dimensions

🗨️ 124mm x 124mm



KSR Lighting is constantly developing and improving its products. For this reason, all product descriptions in this data sheet are intended as a general guide, and KSR may change specifications from time to time in the interest of product development, without prior notification or public announcement. All descriptions in this data sheet present only general particulars of the goods to which they refer and shall not form part of any contract. Data in this guide has been obtained in controlled experimental conditions. However, KSR Lighting cannot accept any liability arising from the reliance on such data to the extent permitted.