

# Photocell Sensors

*Controls*



Data Sheet

## Product Information

Our Photocell sensors allow you to integrate controls into any project and with surface and recessed mount versions available, these are suitable for most Internal Applications.

Comes with a 3 year warranty

## Product Features

- 3 year warranty
- IP44 for KSR8406 and IP20 for KSR8408
- Class II/III
- Polycarbonate Construction
- Manual Override Function
- Tilt Angle 35°



KSR8408

# Product Specification

Product Code	Product Description	Max load	Detection Range	Dimming Range	Time Delay	Lux Settings	Protection Class
KSR8406	Dusk to Dawn Sensor	10A rated	unspecified	N/A	N/A	3-15Lux Non-Adjustable	II
KSR8408	Daylight Harvesting Dimming Sensor	10A rated	360°	1-100%	N/A	50-800Lux Adjustable	III

Nominal voltage	220-240VAC
Operating frequency	50/60Hz
Parasitic Power	<0.5w
Ambient temperature range	0°c~+40°c
IP rating	44/20

## Construction

Body: Polycarbonate

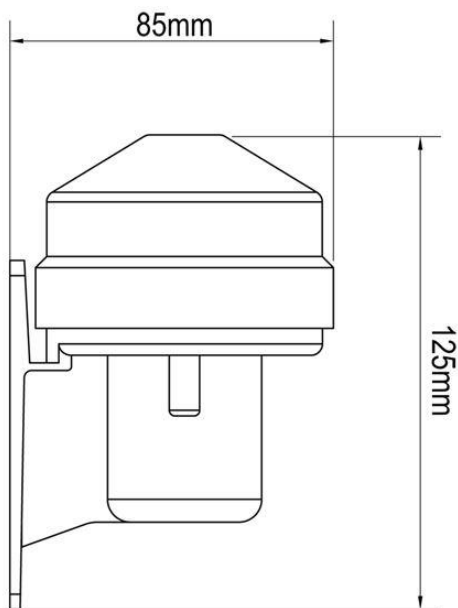
## Standards

BSEN60598-1:2015 Luminaires – Part 1: General requirements and tests

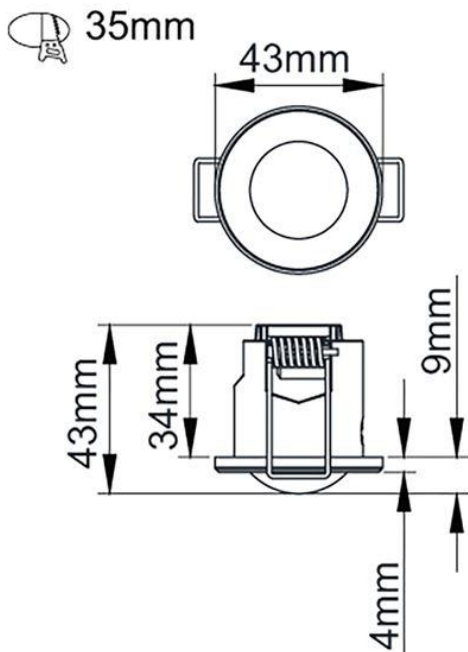
## In Conformity with

LVD Low voltage directive 2014/35/EU  
EMC Electromagnetic compatibility directive 2014/30/EU  
ERP Energy related products directive 2009/125/EC  
RoHS Restriction of hazardous substances 2011/65/EU

# Product Dimensions



**KSR8406**



**KSR8408**

KSR Lighting is constantly developing and improving its products. For this reason, all product descriptions in this data sheet are intended as a general guide, and KSR may change specifications from time to time in the interest of product development, without prior notification or public announcement. All descriptions in this data sheet present only general particulars of the goods to which they refer and shall not form part of any contract. Data in this guide has been obtained in controlled experimental conditions. However, KSR Lighting cannot accept any liability arising from the reliance on such data to the extent permitted.