

# Qr PRO Baffle Plate LED

*Downlights*

Data Sheet

## Product Information

The QR Pro LED Baffle Plate fittings are ideal for Commercial and Domestic applications. This fitting is available with 2700K, 3000K or 4000K LED modules.

The light plates are available in 3 variants to meet your requirements Single, Twin and Triple Plates

Complete with a 3 years warranty for your peace of mind.

## Product Features

- 3 years warranty
- Class II
- IP20
- High efficiency LED technology providing up to 114lm per watt
- 2 reflector options: 15° or 25°
- 2 output options available: 5W or 10W
- 3 Colour temperatures to Choose From 2700K, 3000K and 4000K
- 2 Rim Options available: Black and White
- 3 versions to choose from: Single, Twin and Triple Plates

# Product Specification

| Product Code           | Product Description                         | Wattage (W) | CCT (K) | Lumens (lm)           | CRI (Ra) | Energy Efficiency | Protection Class |
|------------------------|---|-------------|---------|-----------------------|----------|-------------------|------------------|
| KSRDL403               | Qr Pro 5W & 10W 2700K LED Module            | 5w or 10w   | 2700    | 569 @ 5w<br>803 @ 10w | 84       | A+                | II               |
| KSRDL404               | Qr Pro 5W & 10W 3000K LED Module            | 5w or 10w   | 3000    | 573 @ 5w<br>862 @ 10w | 84       | A+                | II               |
| KSRDL405               | Qr Pro 5W & 10W 4000K LED Module            | 5w or 10w   | 4000    | 618 @5w<br>957@ 10w   | 84       | A+                | II               |
| KSRDL406               | Qr Pro 5W & 10W LED Driver for 5W Module    | 5w          |         |                       |          | A+                | II               |
| KSRDL407               | Qr Pro 5W & 10W LED Driver for 10W Module   | 10w         |         |                       |          | A+                | II               |
| KSRDL450               | Qr Pro Single Plate White with Black Baffle | 5w or 10w   |         |                       |          |                   | II               |
| KSRDL451               | Qr Pro Single Plate Black with Black Baffle | 5w or 10w   |         |                       |          |                   | II               |
| KSRDL452               | Qr Pro Twin Plate White with Black Baffle   | 5w or 10w   |         |                       |          |                   | II               |
| KSRDL453               | Qr Pro Twin Plate Black with Black Baffle   | 5w or 10w   |         |                       |          |                   | II               |
| KSRDL454               | Qr Pro Triple Plate White with Black Baffle | 5w or 10w   |         |                       |          |                   | II               |
| KSRDL455               | Qr Pro Triple Plate Black with Black Baffle | 5w or 10w   |         |                       |          |                   | II               |
| <b>Optional Lenses</b> |   |             |         |                       |          |                   |                  |
| KSRDL408               | Qr Pro 15° Reflector                        |             |         |                       |          |                   |                  |
| KSRDL409               | Qr Pro 25° Reflector                        |             |         |                       |          |                   |                  |

|                                  |              |
|----------------------------------|--------------|
| <b>Nominal voltage</b>           | 220~240VAC   |
| <b>Operating frequency</b>       | 50/60Hz      |
| <b>Power</b>                     | 5 or 10W Max |
| <b>Ambient temperature range</b> | -15°C~+40°C  |
| <b>IP rating</b>                 | 20           |

## Construction

Body: Aluminium

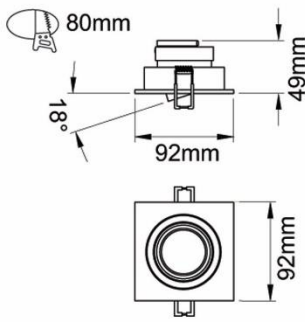
## Standards

BSEN60598-1:2015      Luminaires – Part 1: General requirements and tests

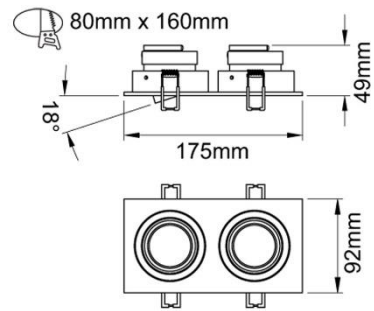
## In Conformity with

LVD                      Low voltage directive 2014/35/EU  
 EMC                     Electromagnetic compatibility directive 2014/30/EU  
 ERP                      Energy related products directive 2009/125/EC  
 RoHS                     Restriction of hazardous substances 2011/65/EU

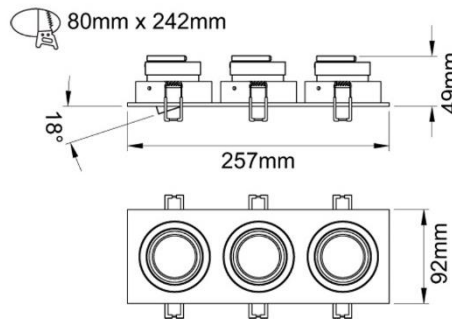
# Product Dimensions



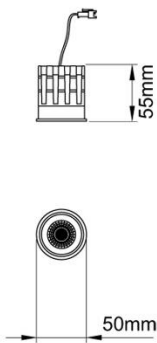
**KSRDL443-445**



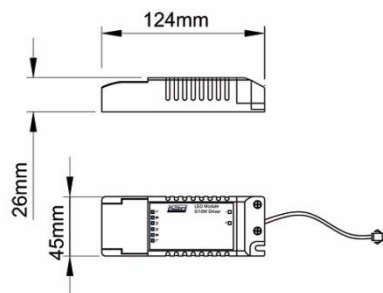
**KSRDL440-442**



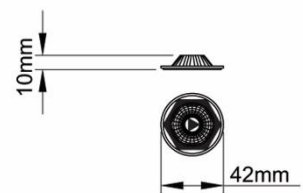
**KSRDL446-448**



**KSRDL403-405**



**KSR406-407**



**KSRDL408-409**

KSR Lighting is constantly developing and improving its products. For this reason, all product descriptions in this data sheet are intended as a general guide, and KSR may change specifications from time to time in the interest of product development, without prior notification or public announcement. All descriptions in this data sheet present only general particulars of the goods to which they refer and shall not form part of any contract. Data in this guide has been obtained in controlled experimental conditions. However, KSR Lighting cannot accept any liability arising from the reliance on such data to the extent permitted